

LUCAS 2K15

LUCAS 2K18

MANUAL 1.0

• Español

• Italiano

• Français

• Deutsch

• English

Important Safety Instructions! Read before connecting!

This product has been built by the manufacturer in accordance with IEC 60065 and left the factory in safe working order. To maintain this condition and ensure non-risk operation, the user must follow the advice and warning comments found in the operating instructions. If this product shall be used in vehicles, ships or aircraft or at altitudes exceeding 2000 m above sea level, take care of the relevant safety regulations which may exceed the IEC 60065 requirements.

WARNING: To prevent the risk of fire and shock hazard, do not expose this appliance to moisture or rain. Do not open case – no user serviceable parts inside. Refer service to qualified service personnel.



This symbol, wherever it appears, alerts you to the presence of uninsulated dangerous voltage inside the enclosure – voltage that may be sufficient to constitute a risk of shock.



This symbol, wherever it appears, alerts you to the presence of externally accessible hazardous voltage. External wiring connected to any terminal marked with this symbol must be a “ready made cable” complying with the manufacturers recommendations, or must be a wiring installed by instructed persons only.



This symbol, wherever it appears, alerts you to important operating and maintenance instructions in the accompanying literature. Read the manual.



This symbol, wherever it appears, tells you: Take care! Hot surface! To prevent burns you must not touch.



All electrical and electronic products including batteries should be disposed of separately from the municipal waste stream via designated collection facilities appointed by the government or the local authorities.



Read these instructions. Keep these instructions. Follow all warnings and instructions marked on the product and in this manual.

- Do not use this product near water. Do not place the product near water, baths, wash basins, kitchen sinks, wet areas, swimming pools or damp rooms.
- Do not place objects containing liquid on the product – vases, glasses, bottles etc.
- Clean only with dry cloth.
- Do not remove any covers or sections of the housing.
- The set operating voltage of the product must match the local mains supply voltage. If you are not sure of the type of power available consult your dealer or local power company.
- Before connecting the device, please ensure that the mains supply you are using is equipped with adequate protection against short circuiting and grounding faults when the device is plugged in.
- To reduce the risk of electrical shock, the grounding of this product must be maintained. Use only the power supply cord provided with this product, and maintain the function of the center (grounding) pin of the mains connection at any time. Make sure the mains outlet used provides a proper protective ground connection.
- Do not defeat the safety purpose of the polarized or grounding-type plug. A polarized plug has two blades with one wider than the other. A grounding type plug has two blades and a third grounding prong. The wide blade or the third prong are provided for your safety. If the provided plug does not fit into your outlet, consult an electrician for replacement of the obsolete outlet.
- Protect the power cord from being walked on or pinched particularly at plugs, convenience receptacles, and the point where they exit from the device! Power supply cords should always be handled carefully. Periodically check cords for cuts or sign of stress, especially at the plug and the point where the cord exits the device.
- Never use a damaged power cord.
- Unplug this product during lightning storms or when unused for long periods of time.

• This product can be fully disconnected from mains only by pulling the mains plug at the unit or the wall socket. The product must be placed in such a way at any time, that disconnecting from mains is easily possible.

• Fuses: Replace with IEC127 (5x20mm) type and rated fuse for best performance only! It is prohibited to use “patched fuses” or to short the fuse-holder. Replacing any kind of fuses must only be carried out by qualified service personal.

• Refer all servicing to qualified service personnel. Servicing is required when the unit has been damaged in any way, such as:

- When the power cord or plug is damaged or frayed.
 - If liquid has been spilled or objects have fallen into the product.
 - If the product has been exposed to rain or moisture.
 - If the product does not operate normally when the operating instructions are followed.
 - If the product has been dropped or the cabinet has been damaged.
- Do not connect external speakers to this product with an impedance lower than the rated impedance given on the product or in this manual. Use only cables with sufficient cross section according to the local safety regulations.

• Keep away from direct sunlight.

• Do not install near heat sources such as radiators, heat registers, stoves or other devices that produce heat.

• This apparatus is for moderate climates areas use, not suitable for use in tropical climates countries.

• Do not block any ventilation openings. Install in accordance with manufacturer's instructions. This product must not be placed in a built-in installation such as a rack unless proper ventilation is provided.

• Always allow a cold device to warm up to ambient temperature, when being moved into a room. Condensation can form inside it and damage the product, when being used without warming up.

• Do not place naked flame sources, such as lighted candles on the product.

• The device must be positioned at least 20 cm/8" away from walls.

• Use only with the cart, stand, tripod, bracket or table specified by the manufacturer or sold with the product. When a cart is used, use caution when moving the cart/product combination to avoid injury from tip-over.

• Use only accessories recommended by the manufacturer, this applies for all kind of accessories, for example protective covers, transport bags, stands, wall or ceiling mounting equipment. In case of attaching any kind of accessories to the product, always follow the instructions for use, provided by the manufacturer. Never use fixing points on the product other than specified by the manufacturer.

• This appliance is NOT suitable to be used by any person or persons (including children) with limited physical, sensorial or mental ability, or by persons with insufficient experience and/or knowledge to operate such an appliance. Children under 4 years of age must be kept away from this appliance at all times.

• Never push objects of any kind into this product through cabinet slots as they may touch dangerous voltage points or short out parts that could result in risk of fire or electric shock.

• This product is capable of delivering sound pressure levels in excess of 90 dB, which may cause permanent hearing damage! Exposure to extremely high noise levels may cause a permanent hearing loss. Wear hearing protection if continuously exposed to such high levels.

• The manufacturer only guarantees the safety, reliability and efficiency of this product if:

- Assembly, extension, re-adjustment, modifications or repairs are carried out by the manufacturer or by persons authorized to do so.
 - The electrical installation of the relevant area complies with the requirements of IEC (ANSI) specifications.
 - The unit is used in accordance with the operating instructions.
- This product is optimized for use with music and speech signals. Using this product with sine wave, square wave or other kind of measuring signals at higher level may lead to severe damage of the product.

General Notes on Safety for Loudspeaker Systems



Mounting systems may only be used for those loudspeaker systems authorized by the manufacturer and only with the mounting accessories specified by the manufacturer in the installation instructions. Read and heed the manufacturer's installation instructions. The indicated load-bearing capacity cannot be guaranteed and the manufacturer will not be liable for damages in the event of improper installation or the use of unauthorized mounting accessories.

The system's load-bearing capacity cannot be guaranteed and the manufacturer will not be liable for damages in the event that loudspeakers, mounting accessories, and connecting and attaching components are modified in any way.

Components affecting safety may only be repaired by the manufacturer or authorized agents, otherwise the operating permit will be voided.



Installation may be performed qualified personnel only, and then only at pick-points with sufficient load-carrying capacity and in compliance with local building regulations. Use only the mounting hardware specified by the manufacturer in the installation instructions (screws, anchors, etc.). Take all the precautions necessary to ensure bolted connections and other threaded locking devices will not loosen.



Fixed and portable installations (in this case, speakers and mounting accessories) must be secured by two independent safeties to prevent them from falling. Safeties must be able to catch accessories or parts that are loose or may become loose. Ensure compliance with the given national regulations when using connecting, attaching, and rigging devices. Factor potential dynamic forces (jerk) into the equation when determining the proper size and load-bearing capacity of safeties.



Be sure to observe speaker stands' maximum load-bearing capacity. Note that for reasons of design and construction, most speaker stands are approved to bear centric loads only; that is, the speakers' mass has to be precisely centered and balanced. Ensure speaker stands are set up stably and securely. Take appropriate added measures to secure speaker stands, for example when:

- the floor or ground surface does not provide a stable, secure base.
- they are extended to heights that impede stability.
- high wind pressure may be expected.
- there is the risk that they may be knocked over by people.

Special measures may become necessary as precautions against unsafe audience behavior. Do not set up speaker stands in evacuation routes and emergency exits. Ensure corridors are wide enough and put proper barriers and markings in place when setting speaker stands up in passageways. Mounting and dismounting are especially hazardous tasks. Use aids suitable for this purpose. Observe the given national regulations when doing so.



Wear proper protection (in particular, a helmet, gloves, and safety shoes) and use only suitable means of ascent (ladders, scaffolds, etc.) during installation. Compliance with this requirement is the sole responsibility of the company performing the installation.



WARNING! After installation, inspect the system comprised of the mounting fixtures and loudspeakers to ensure it is properly secured.

The operator of loudspeaker systems (fixed or portable) must regularly inspect or task a third party to regularly inspect all system components in accordance with the given country's regulations and have possible defects repaired immediately. We also strongly recommend maintaining a logbook or the like to document all inspections.

When installing speakers for longer lasting or permanent outdoor operation, be sure to take into account the stability and load-bearing capacity of platforms and surfaces; loads and forces exerted by wind, snow, and ice; as well as thermal influences. Also be sure to provide sufficient safety margins for the rigging points used for flown systems. Observe the given national regulations when doing so.

- Ask the manufacturer if your product is allowed for outdoor usage!



Professional loudspeaker systems can produce harmful volume levels. Even prolonged exposure to seemingly harmless levels (starting at about 95 dBA SPL) can cause permanent hearing damage! Therefore we recommend that everyone who is exposed to high volume levels produced by loudspeaker systems wears professional hearing protection (earplugs or earmuffs).

Manufacturer: Stamer Musikanlagen GmbH, Magdeburger Str. 8, 66606 St. Wendel, Germany

LUCAS 2K15 / 2K18

Welcome to the HK Audio family!

Thank you for choosing a brand-name product made by our company. Rest assured, we engineered and built it with the greatest care so it will serve you well for many tomorrows to come.



Even if your experience with sound systems runs deep, some things about this product are sure to be new to you. This is why we ask that you do not set this manual aside without reading it first. Be sure to keep it in a safe place for later reference.

Here's wishing you the best sound at every occasion!

Your HK Audio team

Warranty

Use the convenient online registration option at www.hkaudio.com.



<http://warranty.hkaudio.com>

The registration is only valid if the device is registered within 30 days of the date of purchase.

HK AUDIO

Technischer Service
Postfach 1509
66595 St. Wendel, Germany
Fax: +49 6851 905 100



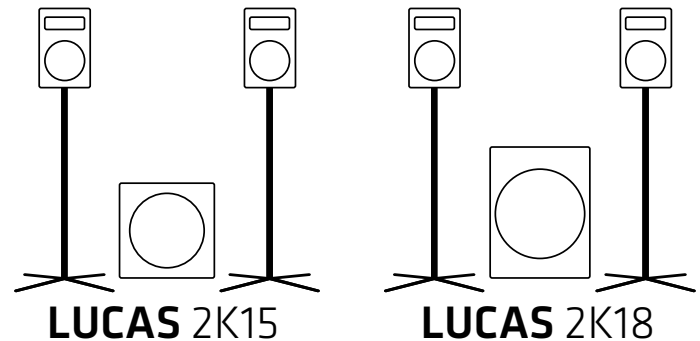
Strong electromagnetic interference or electrostatic discharge may prevent the product from functioning normally. If this happens, the product may be returned to normal operation by powering off and on again. Should this not result in the product functioning normally again, please move the product away from the source of disturbance and try again.

1 General Information

Unpacking and Inventorying

When you first unpack your LUCAS 2K15 or LUCAS 2K18, take a quick inventory to make sure the package comes complete with all the contents. LUCAS 2K consists of a subwoofer and two satellites. A mains cable is also included.

The System's Components



The Subwoofer

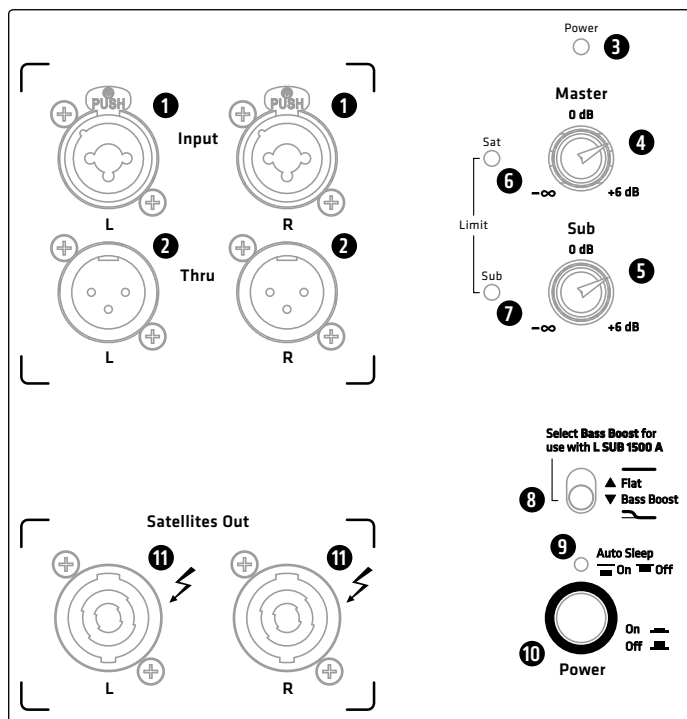
The LUCAS 2K15 subwoofer is loaded with a 15" woofer; the LUCAS 2K18 with an 18" woofer. Each houses the system's active circuitry and the Class D power amplifiers. The connection and control panel is on the rear.

The Satellites

The two each LUCAS 2K15 and LUCAS 2K18 satellites are equipped with an 8" midrange woofer and a 1" compression driver with a 90° x 55° CD horn. A Speakon NL2 input is on the rear. The 3° MonoTilt™ pole mount on the bottom serves to place the satellites on a speaker stand.

Heads up! The system's components are matched for the best possible audio performance and may only be operated in the specified configuration. The use of satellites other than these will not only degrade the sound; it may also damage the power amp as well as connected outboard devices.

2 Connectors and Controls



1 Input

Plug a cord equipped with an XLR connector or 1/4"/6.35 mm jack plug into this electronically balanced XLR/ 1/4"/6.35 mm combo input to send a L/R stereo line signal from your DJ controller, mixing console, keyboard or the like to the system.

2 Thru

These balanced parallel XLR outputs serve to send the L/R stereo signal routed into Input (1) through to other components such as powered monitors. The Thru jacks also connect the optional HK Audio LINEAR SUB series model L SUB 1500 or L SUB 1800 A subwoofers. These bass bins come highly recommended if you wish to boost your system's low-end performance.

Heads up! The two recommended subwoofer add-ons and the respective systems are matched to guarantee the best audio performance. We cannot guarantee that other components will interact properly with your system.

3 Power LED

This LED lights up green when the Power button (10) is set to On and the unit is getting mains power.

4 Master

The Master knob adjusts the gain and thus the volume for the entire LUCAS 2K system. Turn it all the way down—that is, as far left as it will go—before switching on the system.

5 Sub

The Sub knob adjusts the subwoofer's volume separately. The satellite and subwoofer's volume levels are relatively balanced when the knob is set to the 0 dB—that is, the center-notched 12 o'clock position.

6 Limit Sat

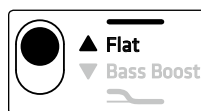
This LED tells you the limiter is operating in the satellites' frequency range. Heads up! If the Sat LED stays red while the system is up and running, it is being overloaded. Turn down the Master knob! If you are not feeding a signal into the system and the LED stays red, there has been malfunction. Contact our Technical Service.

7 Limit Sub

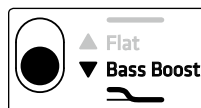
This LED tells you the limiter is operating in the subwoofer's low frequency range. Heads up! If the Sub LED stays red while the system is up and running, it is being overloaded. Turn down the Master knob! If you are not feeding a signal into the system and the LED stays red, there has been malfunction. Contact our Technical Service.

8 Flat/Bass Boost Selector

This DSP-driven EQ optimizes the frequency response for the given application.



Flat: This is the default. When this switch is set to Flat, LUCAS 2K delivers a factory-tuned, balanced audio image.



Bass Boost: If you want LUCAS 2K to pack a more powerful low-end punch, set the switch to Bass Boost to bring up the subwoofer's low frequencies.

This switch also serves to adapt the LUCAS 2K's frequency response when you've added an optional LINEAR SUB series subwoofer to your setup. For more on this, see section 5, "L SUB 1500 or L SUB 1800 Bass Extensions" and the configuration examples shown in the appendix starting on page 32.

9 Auto Sleep

LUCAS 2K's Auto Sleep mode is enabled when the button is set to On. If the system is left to idle for 350 minutes without receiving a signal, the amp switches to this power-saving mode where it consumes around 0.5 watts. To wake it up, first press the power button (10) to switch the system off for five seconds. Then switch it on again to bring LUCAS 2K back on line. Set Auto Standby to the Off position if you wish to disable this function and ensure LUCAS 2K remains up and running.

10 Power

This is LUCAS 2K's on/off button. The power LED (3) lights up green when it is engaged.

11 Satellites Out

Plug speaker cords no less than 1.5 mm² thick and equipped with Speakon® NL2-compatible +1/-1 connectors into these speaker outputs to connect the LUCAS 2K satellites. If you connect any other device, it and the LUCAS 2K subwoofer may be irreparably damaged.

Note: Be sure to rotate speaker connectors clockwise until they lock in place!

Heads up: This type of connector has to be turned clockwise until it engages. It also has to be disengaged before it can be unplugged. To this end, pull the bayonet catch towards the cord and turn the connector counter-clockwise.

12 Mains

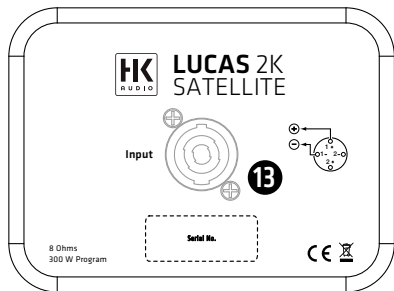
Use the factory-included mains cord to connect this socket to a wall outlet.
Note: LUCAS 2K is equipped with a V-Lock mains socket. If you use a Volex locking power cord or another optionally available brand with the same design, you can fix the power cord in place to prevent accidental disconnection.



Caution! Make sure the local mains voltage matches the voltage specified on the LUCAS 2K subwoofer. Connecting it to the wrong mains voltage may destroy its electronic components.

13 Satellite Input

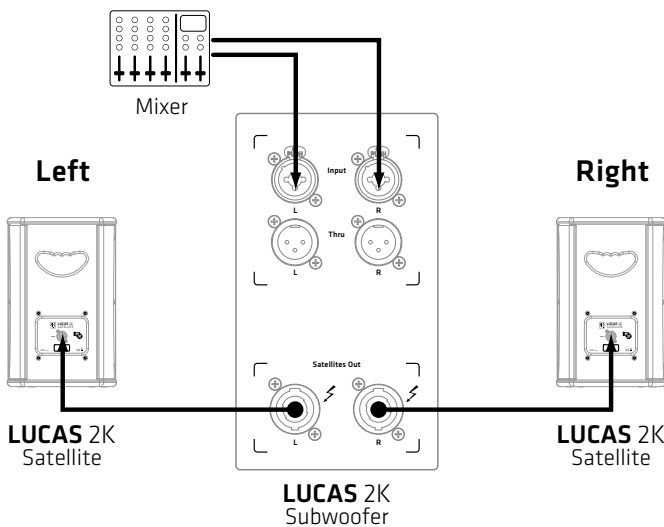
Plug speaker cords no less than 1.5 mm² thick and equipped with Speakon® NL2-compatible +1/-1 connectors into these speaker outputs to connect the satellites to the subwoofer's Satellites Out (11) ports.



3 Powering Up

- Make sure the mains cord is connected and the Power button (10) is set to Off.
- Turn the Master (4) knob all the way down to the far left.
- Connect the two satellites to the subwoofer.
- Switch on all components connected to LUCAS 2K.
- Then push the Power button (10) to switch on the system.

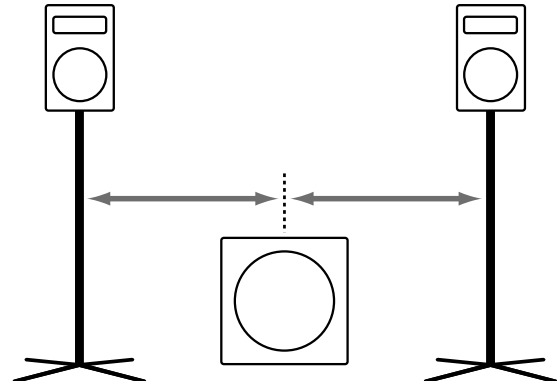
Heads up: Always switch LUCAS 2K on last—that is, after powering up all other components—and switch it off first before powering down all other connected devices.



4 Setting Up

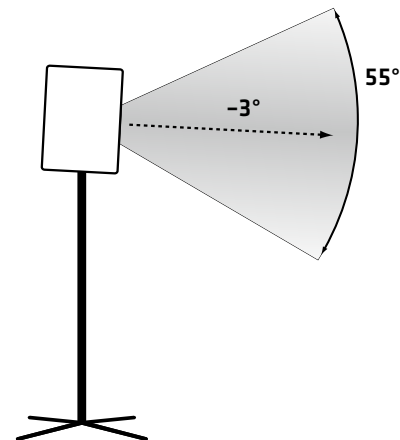
4.1 Placement

The subwoofer needs to be centered between the two satellites for the system to deliver a balanced stereo image.



4.2 Vertical Alignment

The MonoTilt™ pole mount's 3° angle ensures the satellites remain at their center of gravity. This slight tilt also serves to better align the speakers to the audience.



The MonoTilt™ pole mount's diameter is 36 mm so LUCAS 2K satellites can be mounted on any standard speaker stand.

Heads up! Always place speaker stands on a stable, sturdy surface and never exceed the manufacturer's load-bearing specifications.

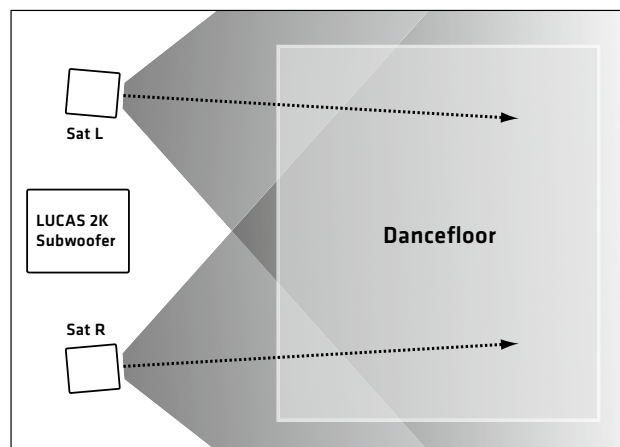
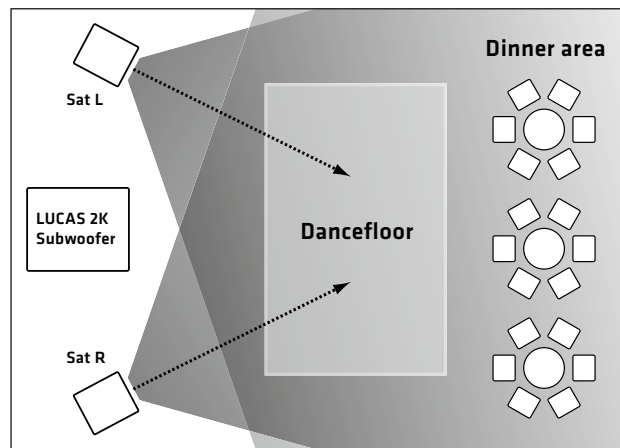
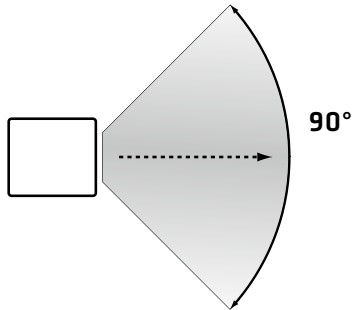


Caution:

- Use only speaker stands that are stable enough to prevent accidental tipping after satellites are mounted. Ensure the speaker stand is designed to handle the satellite's weight. Adjustable stands' highest setting must be limited so as to prevent the combination of speaker stand and satellite from tipping. This applies when setting the stand on a flat, horizontal surface.
- When setting up on an uneven or sloping surface, make sure the speaker stand's base is secured to prevent accidental tipping, either by attaching suitable weights to the base or taking other safety measures.
- The use of any other fixtures or fittings can result in instability that may cause injury.

4.3 Horizontal Alignment

The satellites' horizontal directivity is around 90°. Depending on the venue and room layout, you may want to turn the satellites inwards towards the audience area.



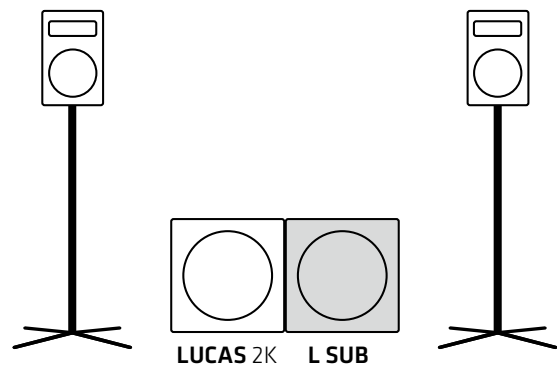
5 L SUB 1500 or L SUB 1800 Bass Extensions

You can also extend the LUCAS 2K system with an add-on subwoofer, either an L SUB 1500 A for LUCAS 2K15 or an L SUB 1800 A for LUCAS 2K18.

- To do this, use two XLR-equipped cords to connect the LUCAS 2K subwoofer's L/R Thru ports (2) to the L SUB subwoofer's L/R Inputs.
- Set the LUCAS 2K subwoofer's Flat/Bass Boost selector (8) to Bass Boost and the Sub knob (5) to the 0 dB center-notched position. Set the connected L SUB unit's Sub-Gain to -6 dB, its X-Over to 100 Hz, and the Phase switch to 0°.

Heads up: For more on this, see the configuration examples shown in the appendix starting on page 32.

Place the two subwoofers next to each other, preferably centered between the two satellites, for the system to deliver a balanced audio image.



6 Optional HK Audio Accessories

1. SPEAKER STAND ADD-ON

This package contains two height-adjustable aluminum tripod speaker stands (112 to 190 cm), two speaker cords, and one bag.

2. LUCAS 2K ROLLER BAG

This package contains a three-piece set of dark grey soft cases, one with an integrated trolley board for the subwoofer and two for the satellite.

3. 100 mm SWIVEL CASTERS blue

The optional swivel castors are mounted to the rear of the LUCAS 2K subwoofer using the self-locking screws at the corners.

Heads up! The subwoofer does fit in the LUCAS 2K Roller Bag with mounted swivel casters. However, it does fit in the padded cover for the L SUB 1500 A or L SUB 1800 A add-on subwoofer.

7 Technical Specifications

LUCAS 2K System	
Total power output (RMS) ¹	670 W Class D
Calculated peak power	2000 W
DSP features	FIR Filtering, 24 dB Subsonic Filter, Peak and RMS Limiters
Housing	MDF
Finish	Black acrylic enamel
Front grille	Metal grille backed with black acoustic foam
Optional Accessories	LUCAS 2K ROLLER BAG, SPEAKER STAND ADD-ON, SPEAKER STAND STRETCH COVER (tripod cover)
Total weight (2K15)	53,0 kg / 116,9 lbs.
Total weight (2K18)	65,4 kg / 144,2 lbs.

LUCAS 2K15 Subwoofer	
Max SPL peak ²	129 dB
Frequency response +/- 5 dB	44 Hz - 130 Hz
Inputs	2x XLR/ 1/4" (6.35 mm) combo inputs
Outputs	2x XLR Thru, 2x Satellites Out (Speakon)
Woofer	1x 15"
Pole mount	1x M20 (K&M)
Grips	2x HK Audio MultiGrip
Dimensions (WxHxD)	48 x 48,5 x 59,5 cm
Weight	30,2 kg / 66,6 lbs.

LUCAS 2K18 Subwoofer	
Max SPL peak ²	128 dB
Frequency response +/- 5 dB	39 Hz - 130 Hz
Inputs	2x XLR/ 1/4" (6.35 mm) combo inputs
Outputs	2x XLR Thru, 2x Satellites Out (Speakon)
Woofer	1x 18"
Pole mount	1x M20 (K&M)
Grips	2x HK Audio MultiGrip
Dimensions (WxHxD)	51 x 67 x 72,5 cm
Weight	42,6 kg / 93,9 lbs.

LUCAS 2K Satellite	
Max SPL peak ²	127 dB
Frequency response +/- 5 dB	118 Hz - 18 kHz
Midrange speaker	1x 8"
HF driver	1"
Horizontal/vertical directivity	90° x 55°
Inputs	Speaker In (Speakon)
Pole mount	HK Audio MonoTilt 3°
Grips	1x routed HK Audio ErgoGrip™
Dimensions (WxHxD)	26,5 x 41,5 x 29,5 cm
Weight	11,4 kg / 25,1 lbs.

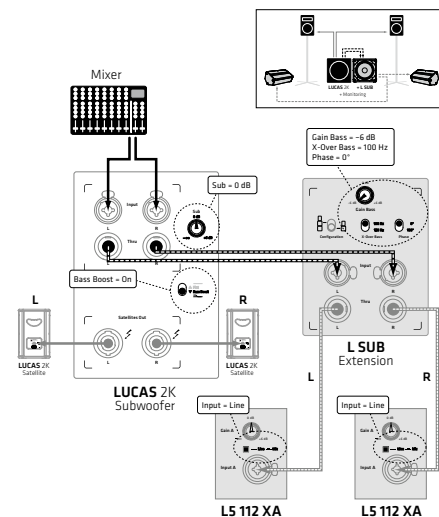
General Technical Specifications	
Peak current	2,6 A / 100-120 V AC • 1,4 A / 220-240 V AC
Inrush current	39 A at 120 V and 230 V

¹ Short-term RMS value measured using a sine burst signal with a 1/4 cycle rate and a resulting crest factor of 9 dB at a frequency that is representative of the system

² @10% THD, Halfspace

8 Applications

You'll find examples of how to connect components starting on page 32.



Wichtige Sicherheitshinweise!

Bitte vor Anschluss lesen!

Dieses Produkt wurde gemäß IEC 60065 hergestellt und hat das Werk in einem sicheren, betriebsfähigen Zustand verlassen. Um diesen Zustand zu erhalten und um einen gefahrlosen Betrieb zu gewährleisten, ist es notwendig, dass der Benutzer die Empfehlungen und Warnhinweise befolgt, die in der Betriebsanleitung zu finden sind. Bei Einsatz dieses Produktes in Fahrzeugen, Schiffen oder Flugzeugen, oder in Höhen oberhalb 2000 m Meereshöhe müssen die entsprechenden Sicherheitsstandards zusätzlich zur IEC 60065 beachtet werden.

WARNUNG: Um das Risiko von Feuer oder Stromschlag zu verhüten, darf dieses Gerät weder Feuchtigkeit noch Regen ausgesetzt werden. Öffnen Sie das Gehäuse nicht – im Inneren gibt es keine Bauteile, die vom Benutzer zu warten sind. Die Wartung darf nur von einem qualifiziertem Kundendienst durchgeführt werden.



Dieses Symbol, wo immer es erscheint, warnt Sie vor gefährlicher, nicht isolierter Spannung im Gehäuse – Spannung, die möglicherweise genügt, eine Stromschlaggefahr darzustellen.



Dieses Symbol, wo immer es erscheint, warnt Sie vor von außen zugänglicher, gefährlicher Spannung. Eine Verbindung zu jeder Anschlussklemme, die mit diesem Symbol versehen ist, darf nur mit konfektioniertem Kabel hergestellt werden, dass den Empfehlungen des Herstellers genügt, oder mit Kabel, das von qualifiziertem Personal installiert wurde.



Dieses Symbol, wo immer es erscheint, macht Sie auf wichtige Bedienungs- und Wartungsanweisungen aufmerksam, die in beiliegenden Unterlagen zu finden sind. Bitte lesen Sie das Handbuch.



Dieses Symbol, wo immer es erscheint, sagt Ihnen: Vorsicht! Heiße Oberfläche! Um Verbrennungen zu vermeiden, nicht anfassen.



Elektro- und Elektronikgeräte einschließlich Batterien sind getrennt vom Hausmüll über offizielle Sammelstellen fachgerecht zu entsorgen.



Bitte lesen Sie diese Anweisungen. Bewahren Sie diese Anweisungen auf. Befolgen Sie alle Warnhinweise und Anweisungen auf dem Gerät und in dieser Anleitung.

- Benutzen Sie dieses Gerät nicht in der Nähe von Wasser. Stellen Sie das Gerät nicht in der Nähe von Wasser, Badewannen, Waschbecken, Küchenspülen, nassen Stellen, Schwimmbecken oder in feuchten Räumen auf.
- Stellen Sie keine Gefäße, wie Vasen, Gläser, Flaschen usw., die Flüssigkeiten enthalten, auf das Gerät.
- Reinigen Sie das Gerät nur mit einem trockenen Tuch.
- Entfernen Sie keine Abdeckungen oder Teile des Gehäuses.
- Die auf dem Gerät angegebene Betriebsspannung muss mit der örtlichen Spannung der Netzstromversorgung übereinstimmen. Wenn Sie sich nicht sicher sind, welche Spannung in Ihrem Netz zur Verfügung steht, konsultieren Sie bitte Ihren Händler oder den örtlichen Stromversorger.
- Stellen Sie vor Anschluss des Gerätes unbedingt sicher, dass die Netzversorgungsinstallation über ausreichende Schutzvorrichtungen gegen Kurzschluss und Erdungsfehler angeschlossener Geräte verfügt.
- Um das Risiko eines Stromschlags zu verringern, muss die Erdung des Gerätes beibehalten werden. Verwenden Sie nur das mitgelieferte Stromführungskabel und behalten Sie die Funktion der seitlichen, geerdeten Schutzkontakte des Netzanschlusses immer aufrecht. Stellen Sie sicher, dass das Gerät nur an Steckdosen angeschlossen wird, die über eine ordnungsgemäß funktionierende Schutzerde verfügen.
- Schützen Sie das Stromführungskabel vor Betreten und Quetschen, besonders in der Nähe der Stecker, Gerätesteckdosen – und dort, wo sie am Gerät austreten! Stromführungskabel sollten immer vorsichtig behandelt werden. Kontrollieren Sie die Stromführungskabel in regelmäßigen Abständen auf Einschnitte und Anzeichen von Abnutzung, besonders in der Nähe des Steckers und an der Verbindung zum Gerät.
- Benutzen Sie niemals ein beschädigtes Stromführungskabel.
- Ziehen Sie bei Gewittern den Stecker des Gerätes und wenn das Gerät über einen längeren Zeitraum nicht benutzt wird.
- Dieses Gerät wird nur vollständig vom Stromnetz getrennt, wenn der Stecker vom Gerät oder aus der Steckdose gezogen wird. Das Gerät sollte so aufgestellt werden, dass das Trennen vom Stromnetz leicht möglich ist.

- Sicherungen: Ersetzen Sie Sicherungen nur mit dem Typ IEC127 (5x20mm) und dem korrekten Nennwert, um die optimale Leistung zu gewährleisten! Es ist untersagt, kurzgeschlossene Sicherungen zu verwenden oder den Sicherungshalter zu überbrücken. Sicherungen dürfen nur von qualifiziertem Personal gewechselt werden.
- Alle Wartungsarbeiten sollten nur von qualifiziertem Personal ausgeführt werden. Wartung ist notwendig, wenn das Gerät auf irgendeine Weise beschädigt wurde, wie zum Beispiel:
 - Wenn das Stromführungskabel oder der Stecker beschädigt oder abgenutzt ist.
 - Wenn Flüssigkeit oder Gegenstände in das Gerät gelangt sind.
 - Wenn das Gerät Regen oder Feuchtigkeit ausgesetzt war.
 - Wenn das Gerät nicht ordnungsgemäß funktioniert, obwohl die Bedienungsanleitung beachtet wurde.
 - Wenn das Gerät hingefallen ist oder das Gehäuse beschädigt wurde.
- Beim Anschluss von Lautsprechern an dieses Gerät darf die auf dem Gerät oder in dieser Anleitung angegebene Mindestimpedanz nicht unterschritten werden. Die verwendeten Kabel müssen entsprechend den lokalen Regelungen über einen ausreichenden Querschnitt verfügen.
- Halten Sie das Gerät vom Sonnenlicht fern.
- Installieren Sie das Gerät nicht in der Nähe von Wärmequellen, wie zum Beispiel Heizkörper, Heizregister, Öfen oder anderen Geräten, die Hitze erzeugen.
- Dieses Gerät wurde für die Verwendung in gemäßigten Klimazonen entwickelt. Nicht geeignet zur Verwendung in tropischen Klimazonen.
- Verstopfen Sie nicht die Lüftungsöffnungen. Installieren Sie das Gerät entsprechend der Anleitung des Herstellers. Das Gerät darf nicht eingebaut werden – wie zum Beispiel in einen Gestellrahmen, es sei denn, dass für angemessene Belüftung gesorgt wird.
- Ein kaltes Gerät sollte immer auf die Umgebungstemperatur erwärmt werden, wenn es in einen Raum transportiert wird. Es könnte sich Kondensation im Inneren bilden, die das Gerät beschädigt, wenn es ohne vorherige Erwärmung benutzt wird.
- Stellen Sie keine offenen Flammen, wie brennende Kerzen, auf das Gerät.
- Das Gerät sollte mindestens 20 cm von Wänden aufgestellt werden.
- Das Gerät darf nur mit Rollwagen, Ständern, Stativen, Tischen oder Halterungen benutzt werden, die vom Hersteller spezifiziert sind oder zusammen mit dem Gerät verkauft wurden. Wenn ein Rollwagen benutzt wird, seien Sie vorsichtig, wenn Sie die Rollwagen/Geräte-Kombination transportieren, um Verletzungen durch Umkippen zu vermeiden.
- Verwenden Sie nur Zubehör, das vom Hersteller empfohlen ist. Das gilt für alle Arten von Zubehör, wie zum Beispiel Schutzabdeckungen, Transporttaschen, Ständer sowie Wand- und Deckenhalterungen. Wenn Sie irgendein Zubehör am Gerät anbringen, befolgen Sie immer die Anleitungen des Herstellers. Benutzen Sie nur die Befestigungspunkte des Geräts, die vom Hersteller vorgesehen sind.
- Dieses Gerät ist NICHT geeignet für eine Person oder Personen (einschließlich Kindern) mit eingeschränkten physischen, sensorischen und geistigen Fähigkeiten, oder für Personen mit unzulänglicher Erfahrung und/oder Fachkenntnis, um solch ein Gerät zu bedienen. Kinder unter 4 Jahren sollten stets von diesem Gerät fern gehalten werden.
- Es sollten keinerlei Gegenstände durch die Gehäuseschlitze eingeführt werden, da dadurch gefährliche, spannungsführende Bauteile berührt oder kurzgeschlossen werden können. Dies könnte zu einer Feuer- oder Stromschlaggefahr führen.
- Dieses Gerät ist imstande, Schalldruckpegel von mehr als 90 dB zu produzieren. Dies könnte zu einem dauerhaften Hörschaden führen! Eine Belastung durch extrem hohe Geräuschpegel kann zu einem dauerhaften Hörverlust führen. Bei einer anhaltenden Belastung durch solch hohe Pegel sollte ein Gehörschutz getragen werden.
- Der Hersteller gewährleistet die Sicherheit, Zuverlässigkeit und Leistung des Gerätes nur unter folgenden Voraussetzungen:
 - Einbau, Erweiterung, Neueinstellung, Modifikationen oder Reparaturen werden vom Hersteller oder autorisiertem Personal ausgeführt.
 - Die elektrische Installation des betreffenden Bereiches entspricht den Anforderungen der IEC (ANSI) Maßgaben.
 - Das Gerät wird entsprechend der Bedienungsanleitung benutzt.
- Dieses Produkt ist auf die Verwendung mit Musik- und Sprachsignalen optimiert. Verwendung mit Sinus-, Rechteck- oder anderen Mess-Signalen bei höherem Pegel kann zu ersten Beschädigungen des Geräts führen.

Allgemeine Sicherheitshinweise für Lautsprechersysteme



Befestigungssysteme dürfen ausschließlich für die vom Hersteller freigegebenen Lautsprechersysteme und mit dem in der Montageanleitung genannten Montage-Zubehör verwendet werden. Die Montagehinweise des Herstellers sind dabei unbedingt zu beachten. Bei unsachgemäßer Montage bzw. Verwendung von nicht

freigegebenem Montage-Zubehör kann die angegebene Belastung nicht garantiert und keinerlei Haftung seitens des Herstellers übernommen werden.

Sollten Änderungen an Lautsprechern, an Montage-Zubehör, Verbindungs- und Befestigungselementen sowie Anschlagmitteln vorgenommen werden, kann die Tragfähigkeit des Systems nicht mehr garantiert werden und seitens des Herstellers keinerlei Haftung übernommen werden.

Reparaturen an sicherheitsrelevanten Bauteilen dürfen nur vom Hersteller oder Bevollmächtigten durchgeführt werden, andernfalls erlischt die Betriebserlaubnis.



Die Installation darf ausschließlich durch Sachkundige und nur an Montagepunkten mit ausreichender Tragfähigkeit, ggf. unter der Berücksichtigung von Bauauflagen, erfolgen. Das vom Hersteller in der Montageanleitung vorgeschriebene Befestigungsmaterial (Schrauben, Dübel, etc.) muss verwendet werden. Schraubverbindungen müssen durch geeignete Maßnahmen gegen Lösen gesichert sein.



Ortsfeste oder mobile Installationen (hier Lautsprecher inkl. Montagezubehör) müssen durch zwei unabhängig voneinander wirkende Einrichtungen gegen Herabfallen gesichert sein. Lose Zusatzteile oder sich lösende Teile müssen durch geeignete Einrichtungen aufgefangen werden können. Bei Verwendung von Verbindungs- und Befestigungselementen sowie Anschlagmitteln sind die nationalen Vorschriften zu beachten. Hinsichtlich der Bemessung der Sicherungsmittel sind mögliche dynamische Belastungen (Ruckkräfte) mit zu berücksichtigen.



Bei Stativen ist vor allem die maximale Traglast zu beachten. Außerdem sind die meisten Stative aus konstruktiven Gründen nur für das Tragen von genau zentrischer Belastung zugelassen. Stative müssen standsicher aufgestellt werden. Stative sind durch geeignete Maßnahmen zusätzlich zu sichern, wenn zum Beispiel:

- ihre Aufstandfläche keinen sicheren Stand zulässt,
- ihre Höhen die Standsicherheit einschränken,
- mit zu hohem Winddruck zu rechnen ist,
- damit zu rechnen ist, dass sie durch Personen umgestoßen werden. Besondere Maßnahmen können auch zur Vorsorge gegen gefährdendes Verhalten von Zuschauern erforderlich werden. Stative dürfen nicht in Flucht- und Rettungswegen aufgestellt werden. Bei Aufstellung in Verkehrswegen ist auf die erforderliche Breite der Wege und auf ordnungsgemäße Absperrung sowie Kennzeichnung zu achten. Beim Auf- und Absetzen ist eine besondere Gefährdung gegeben. Hierzu sind geeignete Hilfsmittel zu verwenden. Es sind hierbei die nationalen Vorschriften zu beachten.



Während der Montage ist geeignete Schutzausrüstung (insbesondere Kopfschutz, Handschuhe und Sicherheitsschuhe) zu tragen und es sind nur geeignete Aufstiegshilfen (Leitern, Gerüste, etc.) zu verwenden. Die Verantwortung dafür liegt alleine beim ausführenden Installationsbetrieb.



ACHTUNG! Nach der Montage ist die Aufhängung des System aus Halterung und Lautsprecher auf sichere Befestigung zu überprüfen. Der Betreiber von Lautsprechersystemen (ortsfest oder mobil) ist verpflichtet, alle Systemkomponenten unter Berücksichtigung der jeweils nationalen Regelungen regelmäßig zu überprüfen bzw. prüfen zu lassen und mögliche Schäden unverzüglich beseitigen zu lassen. Weiterhin raten wir dringend zu einer ausführlichen Dokumentation aller Überprüfungsmaßnahmen in Prüfbüchern o.ä.

Bei längerem oder dauerhaftem Einsatz von Lautsprechern im Freien sind für Standsicherheit und Tragfähigkeit von Aufbauten und Flächen insbesondere auch die Windlasten, Schnee- und Eislasten sowie thermische Einflüsse zu berücksichtigen. Insbesondere die Lastaufnahmepunkte geflogener Systeme sollten hier mit ausreichenden Sicherheitsreserven dimensioniert werden. Es sind hierbei die nationalen Vorschriften zu beachten.

• Fragen Sie den Hersteller, ob Ihr Produkt für den Betrieb im Freien geeignet ist.



Professionelle Lautsprechersysteme sind in der Lage, gesundheitsschädliche Schallpegel zu erzeugen. Selbst die Einwirkung scheinbar harmloser Schallpegel über einen längeren Zeitraum kann zu bleibenden Schäden am Gehör führen (ab ca. 95 dBA SPL)! Daher raten wir für alle Personen, die durch den Betrieb von Lautsprechersystemen dem Einfluss hoher Schallpegel ausgesetzt sind, zum Tragen von professionellem Gehörschutz (Ohrstöpsel oder Kapselgehörschutz).

Hersteller: Stamer Musikanlagen GmbH, Magdeburger Str. 8, 66606 St. Wendel, Deutschland

LUCAS 2K15 / 2K18

Willkommen in der HK Audio Familie!

Vielen Dank, dass Sie sich für ein Markenprodukt aus unserem Hause entschieden haben, das mit größter Sorgfalt für Sie entwickelt und gefertigt wurde.



Auch wenn Sie bereits eingehende Erfahrungen mit Beschallungsanlagen gesammelt haben – bei diesem Produkt wird es trotzdem einige Dinge geben, die neu für Sie sind. Legen Sie deshalb diese Bedienungsanleitung nicht ungelesen beiseite und bewahren Sie sie zur späteren Verwendung auf.

Wir wünschen Ihnen allzeit besten Sound!

Ihr HK Audio Team

Garantie

Nutzen Sie die komfortable Online-Registrierung über www.hkaudio.com.



<http://warranty.hkaudio.com>

Die Registrierung ist nur gültig, wenn sie innerhalb von 30 Tagen ab Kaufdatum erfolgte.

HK AUDIO

Technischer Service
Postfach 1509
66595 St. Wendel, Deutschland
Fax: +49 6851 905 100



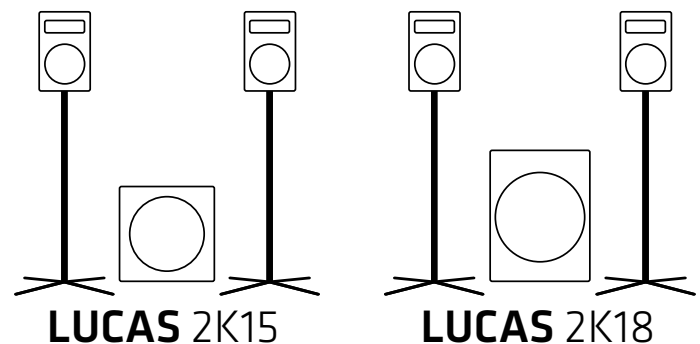
Hinweis: Die Funktionalität dieses Produkts kann durch starke elektromagnetische Felder oder elektrostatische Entladungen gestört werden. In diesem Fall kann durch Ausschalten und erneutes Einschalten die Funktionalität wieder hergestellt werden. Falls dies nicht hilft, muss das Gerät von der Störquelle entfernt werden.

1 Allgemeines

Lieferumfang

Bitte überprüfen Sie beim Auspacken Ihres LUCAS 2K15 oder LUCAS 2K18 den Lieferumfang auf Vollständigkeit. LUCAS 2K besteht aus einem System-Subwoofer und zwei Satelliten – im Lieferumfang ist außerdem das passende Netzkabel enthalten.

Die Systemkomponenten



Der Subwoofer

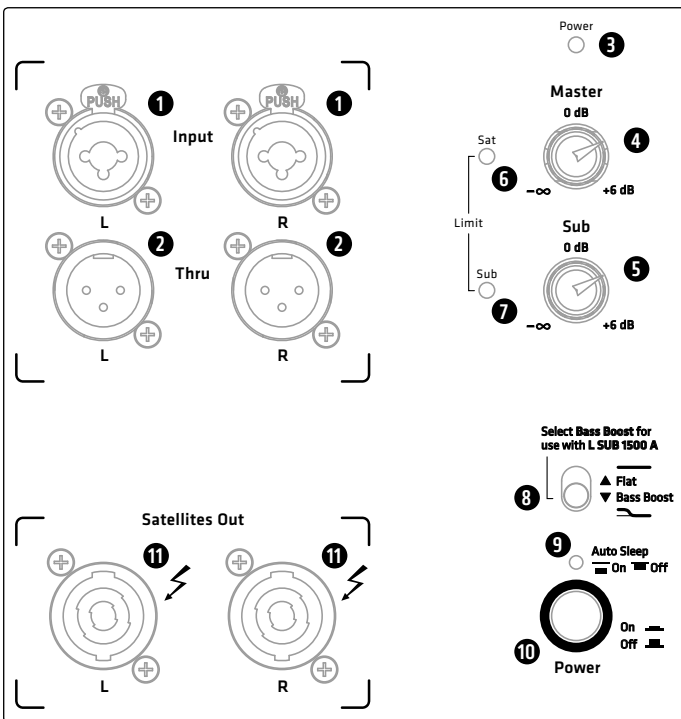
Der System-Subwoofer beherbergt den 15"- (LUCAS 2K15), bzw. 18"-(LUCAS 2K18) Tieftonlautsprecher und die aktive Systemelektronik samt den Class-D Endstufen. Auf der Rückseite befinden sich das Anschluss- und Bedienfeld.

Die Satelliten

Die beiden Satelliten (identisch bei LUCAS 2K15 und LUCAS 2K18) sind mit einem 8" Tief-Mitteltöner und einem 1" Kompressionstreiber mit 90° x 55° CD-Horn bestückt. Auf der Rückseite befindet sich ein Speakon NL2-Eingang und auf der Unterseite der 3° MonoTilt™-Hochständerflansch, um die Satelliten auf einem Boxenstativ zu montieren.

Hinweis! Die Systemkomponenten sind akustisch optimal aufeinander abgestimmt und dürfen nur in der angegebenen Konfiguration betrieben werden. Bei Verwendung anderer Satelliten wird nicht nur der Klang negativ beeinflusst, sondern die Endstufe – wie auch angeschlossene Fremdgeräte – können Schaden nehmen.

2 Anschlüsse und Bedienelemente



1 Input

Symmetrische Kombi-Eingangsbuchsen (XLR/Klinke) zum Anschluss eines Stereo-Line-Signals (L/R). Schließen Sie hier das Signalkabel von Ihrem DJ-Controller, Mischpult, Keyboard o.ä. mittels XLR-Kabel oder 6,35 mm-Klinkenkabel an.

2 Thru

Symmetrische, parallele XLR-Ausgänge zur Weiterleitung des am Input (1) anliegenden Eingangssignals (L/R). Über Thru kann dieses Stereo-Signal an weitere Komponenten wie beispielsweise Aktiv-Monitore weitergeleitet werden. Die Thru-Buchsen dienen auch zum Anschluss der optional empfohlenen Bass-Erweiterung mit den Subwoofern der HK Audio-Serie LINEAR SUB: L SUB 1500 bzw. L SUB 1800 A.

Hinweis! Wir garantieren das akustisch korrekte Zusammenspiel der einzelnen Komponenten nur für die beiden von uns empfohlenen Sub-Erweiterungen.

3 Power-LED

Diese LED leuchtet grün, wenn der Power-Schalter (10) auf „On“ geschaltet ist und eine Stromverbindung besteht.

4 Master

Über den Master-Regler wird die Eingangsempfindlichkeit und somit die Lautstärke des gesamten LUCAS 2K-Systems angepasst. Drehen Sie den Master-Regler vor dem Einschalten des Systems ab (Linksanschlag).

5 Sub

Über den Sub-Regler kann der Pegel des Subwoofers separat eingestellt werden. Bei der Einstellung auf 0 dB (Centerclick), hat das System ein relativ ausgewogenes Lautstärke-Verhältnis zwischen Satelliten und Subwoofer.

6 Limit Sat

Diese LED zeigt das Eingreifen des Limiters im Arbeitsbereich der Satelliten an.

Achtung! Leuchtet die Sat-LED während des Betriebs dauerhaft rot, wird das System überlastet. Reduzieren Sie den Master! Sollte kein Signal anliegen und die LED dauerhaft rot leuchten, liegt ein Fehler vor – kontaktieren Sie unseren Technischen Service.

7 Limit Sub

Diese LED zeigt das Eingreifen des Limiters im Tieftonbereich beim Subwoofer an.

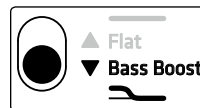
Achtung! Leuchtet die Sub-LED während des Betriebs dauerhaft rot, wird das System überlastet. Reduzieren Sie den Sub-Regler bzw. den Master! Sollte kein Signal anliegen und die LED dauerhaft rot leuchten, liegt ein Fehler vor – kontaktieren Sie unseren Technischen Service.

8 Wahlschalter "Flat/Bass Boost"

DSP-gesteuerte Frequenzgangoptimierung an den jeweiligen Anwendungsfall.



Stellung "Flat": In dieser Schalterstellung hat LUCAS 2K ein werkseitig eingestelltes, ausgewogenes Klangbild.



Stellung "Bass Boost": Die Bass Boost-Funktion erhöht den Tiefbass-Anteil des Subwoofers und verleiht dem LUCAS 2K bei Bedarf mehr Bassdruck. Gleichzeitig dient dieser Schalter zur Anpassung des LUCAS 2K bei Verwendung einer optionalen Bass-Erweiterung aus der LINEAR SUB-Serie (siehe auch Kapitel 5 „Bass-Erweiterung mit L SUB 1500 bzw. L SUB 1800“ und die Anschlussbeispiele im Anhang ab Seite 32).

9 Auto Sleep

LUCAS 2K verfügt über eine Auto Sleep-Funktion, die ein- und ausgeschaltet werden kann. Bei Stellung „On“ (Funktion Auto Sleep aktiv) schaltet die Endstufe – sofern 350 Minuten kein Signal anliegt – in den Ruhezustand (Verbrauch etwa 0,5 Watt). Um LUCAS 2K wieder in Betriebszustand zu versetzen, schalten Sie das System über den Power-Schalter (10) für fünf Sekunden aus und anschließend wieder ein. Auto Sleep auf „off“ deaktiviert diese Funktion und LUCAS 2K bleibt dauerhaft in Betrieb.

10 Power

Der Ein/Aus-Schalter für den LUCAS 2K. In eingeschaltetem Zustand leuchtet die Power-LED (3) grün.

11 Satellites Out

Speaker-Ausgangsbuchsen zum Anschluss der Satelliten des LUCAS 2K mit NL2-Speakon-kompatiblen Lautsprecherkabeln (+1/-1, Kabelquerschnitt mind. 1,5 mm²). Verbinden Sie diese Ausgangsbuchsen ausschließlich mit den LUCAS 2K-Satelliten. Werden andere Geräte angeschlossen, können diese – wie auch der LUCAS 2K Subwoofer – zerstört werden.

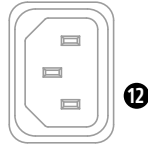
Hinweis: Die Speaker-Stecker müssen durch Drehen im Uhrzeigersinn einrasten. Das Herausziehen ist erst nach Entsicherung der Stecker möglich – dazu den Bajonettverschluss in Richtung des Kabels ziehen und gegen den Uhrzeigersinn drehen.

12 Mains

Verbinden Sie diese Anschlussbuchse mittels des mitgelieferten Netzkabels mit der Netzsteckdose.

Hinweis: LUCAS 2K ist mit verriegelbaren V-Lock-Netzanschlussbuchsen ausgestattet. In Kombination mit einem verriegelbaren Anschlusskabel ("Volex" oder baugleich, optional erhältlich) kann das Netzkabel arretiert und so gegen versehentliches Herausrutschen gesichert werden.

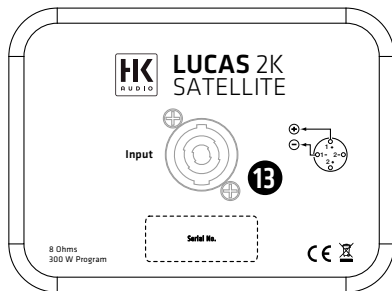
Mains
220-240 V~ • 50-60 Hz
1.4 A rated current



Achtung! Achten Sie darauf, dass die Spannungsangabe auf dem LUCAS 2K Subwoofer Ihrer lokalen Netzspannung entspricht. Der Anschluss an eine falsche Netzspannung kann die Elektronik des Gerätes zerstören.

13 Satellite Input

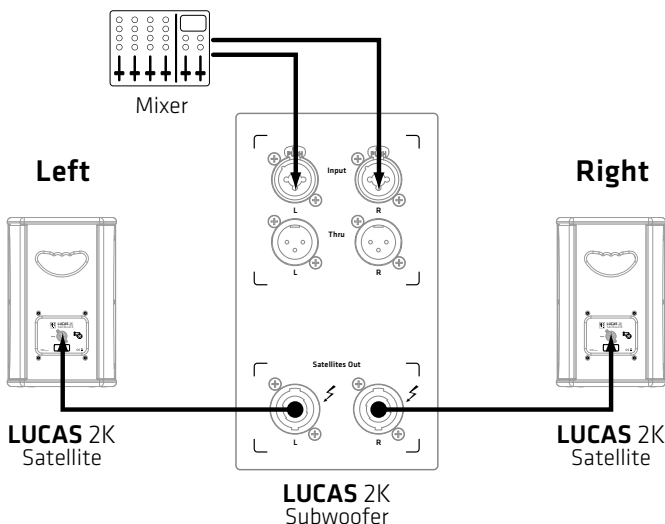
Verbinden Sie über die Speaker-Eingangsbuchsen die Satelliten mit dem Satellites Out (11) des System-Subwoofers mittels NL2-Speakerkompatiblen Lautsprecherkabeln (+1/-1, Kabelquerschnitt mind. 1,5 mm²).



3 Inbetriebnahme

- Achten Sie darauf, dass das Netzkabel angeschlossen ist und der Power-Schalter (10) auf der Stellung Off steht.
- Drehen Sie den Master (4) ab (Linksanschlag).
- Verbinden Sie die beiden Satelliten mit dem System-Subwoofer.
- Schalten Sie alle an LUCAS 2K angeschlossenen Komponenten ein.
- Schalten Sie nun das System mit dem Power-Schalter (10) an.

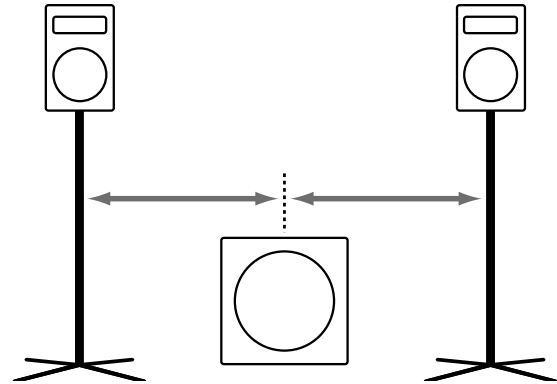
Achtung: LUCAS 2K muss immer zuletzt, d.h. nach allen anderen Komponenten, eingeschaltet und zuerst, d.h. vor allen angeschlossenen Geräten ausgeschaltet werden.



4 Aufstellung

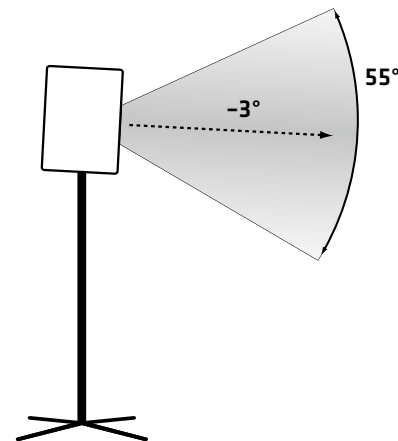
4.1 Aufbau des Systems

Um ein möglichst homogenes Stereo-Klangbild zu gewährleisten, sollte der Subwoofer mittig zwischen den beiden Satelliten platziert werden.



4.2 Vertikale Ausrichtung der Satelliten

Durch den Winkel von 3° sorgt der MonoTilt™-Hochständerflansch dafür, dass die Satelliten stets im Schwerpunkt – und wegen der leichten Neigung besser auf das Publikum ausgerichtet sind.



Der MonoTilt™-Hochständerflansch hat einen Durchmesser von 36 mm, die Satelliten von LUCAS 2K können also auf jedem handelsüblichen Lautsprecherstativ aufgestellt werden.

Hinweis! Achten Sie stets auf sicheren Stand und auf die Herstellerangaben zur maximalen Belastung der Stative.

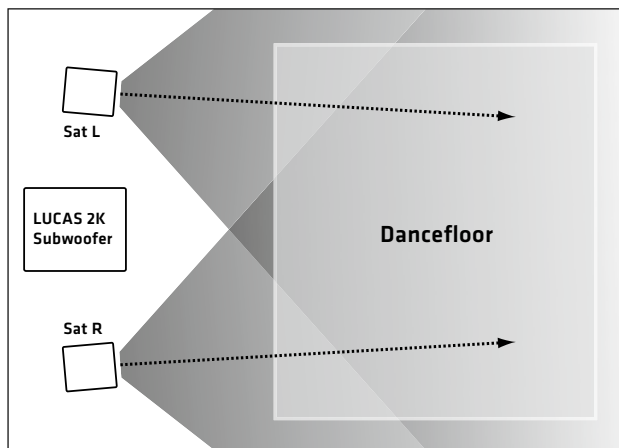
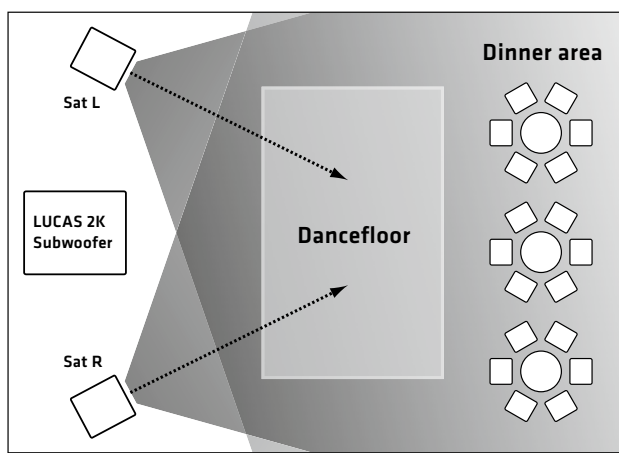
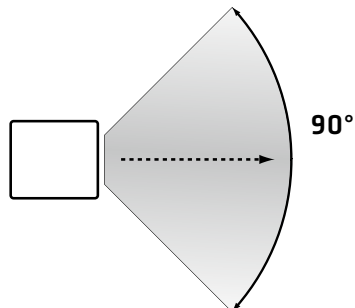


Vorsicht!

- Es dürfen nur Stative verwendet werden, für die nach Montage der Satelliten die Kippsicherheit gewährleistet ist. Das Stativ muss für das Gewicht des Satelliten ausgelegt sein. Die maximale Auszugshöhe ist derart zu begrenzen, dass die Kombination aus Stativ und Satellit nicht kippt. Dies gilt bei Aufstellung auf einer ebenen waagerechten Fläche.
- Des Weiteren ist bei Aufstellung auf einer unebenen oder geneigten Fläche darauf zu achten, dass die Kippsicherheit gewährleistet wird, entweder durch Beschwerung des Stativfußes mit geeigneten Gewichten oder durch anderweitige Sicherungsmaßnahmen.
- Die Verwendung mit anderen Einrichtungen kann zur Instabilität führen, die Verletzungen verursachen kann.

4.3 Horizontale Ausrichtung der Satelliten

Die horizontale Abstrahlung der Satelliten beträgt ca. 90°. Drehen Sie je nach Raumgröße die Satelliten entsprechend ein.



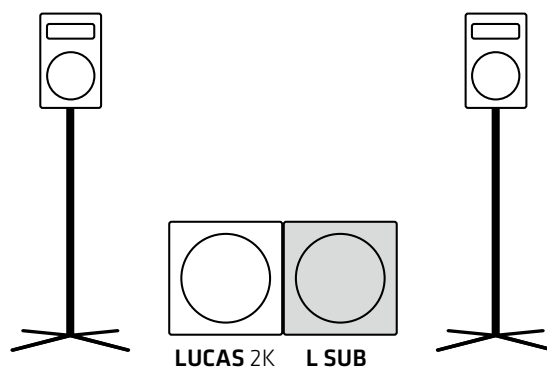
5 Bass-Erweiterung mit L SUB 1500 bzw. L SUB 1800

Zusätzlich bietet LUCAS 2K die Möglichkeit, das System durch einen weiteren Subwoofer (L SUB 1500 A für LUCAS 2K15 und L SUB 1800 A für LUCAS 2K18) zu erweitern.

- Verbinden Sie hierfür die Thru-Buchsen (L/R) (2) des LUCAS 2K-Subwoofers mit den Input-Buchsen (L/R) des L SUB-Subwoofers mit zwei XLR-Kabeln.
- Stellen Sie den Filter-Wahlschalter (8) des LUCAS 2K-Subwoofers auf „Bass Boost“ und drehen Sie den Sub-Regler (5) auf 0 dB (Centerclick). Beim verbundenen L SUB stellen Sie den Sub-Gain auf -6 dB, den X-Over auf 100 Hz und den Phase-Schalter auf 0°.

Hinweis: Weitere Informationen erhalten Sie in den Anschlussbeispielen im Anhang ab Seite 32.

Um ein möglichst homogenes Klangbild zu erhalten, positionieren Sie die beiden Subwoofer nebeneinander, möglichst mittig zwischen den beiden Satelliten.



6 Optionales Zubehör von HK Audio

1. SPEAKER STAND ADD-ON

Inhalt: 2x dreibeiniges u. höhenverstellbares Aluminium-Boxenstativ (112 bis 190 cm), 2x Speaker-Kabel, 1x Tasche.

2. LUCAS 2K ROLLER BAG

Inhalt: dreiteiliger Softcase-Satz (1x Subwoofer mit integriertem Rollbrett und 2x Satellite), dunkelgrau.

3. LENKROLLEN 100 mm blau

Die optional erhältlichen Lenkrollen können auf der Rückseite des LUCAS 2K-Subwoofers mittels der in den Ecken vorhandenen Sperrzahnschrauben befestigt werden.

Achtung! Mit montierten Lenkrollen kann der LUCAS 2K Roller Bag nicht mehr verwendet werden. In diesem Fall eignet sich die passende gepolste Schutzhülle der jeweiligen Bass-Erweiterung L SUB 1500 A bzw. L SUB 1800 A.

7 Technische Daten

LUCAS 2K System	
Gesamtleistung (RMS) ¹	670 W Class D
Calculated Peak-Power	2000 W
DSP-Features	FIR-Filterung, 24 dB-Subsonic-Filter, Peak- und RMS-Limiter
Gehäuse	MDF
Oberfläche	Acryllack, schwarz
Frontgitter	Metallgitter mit schwarzem Akustik-schaumstoff
Optionales Zubehör	LUCAS 2K ROLLER BAG, SPEAKER STAND ADD-ON, SPEAKER STAND STRETCH COVER (Stativsegel)
Gesamtgewicht (2K15)	53,0 kg / 116,9 lbs.
Gesamtgewicht (2K18)	65,4 kg / 144,2 lbs.

LUCAS 2K15 Subwoofer	
Max SPL peak ²	129 dB
Frequenzgang +/- 5 dB	44 Hz - 130 Hz
Eingänge	2x Klinke/XLR-Kombibuchse
Ausgänge	2x XLR Thru, 2x Satellites Out (Speakon)
Basslautsprecher	1x 15"
Hochständerflansch	1x M20 (K&M)
Griffe	2x HK Audio MultiGrip
Abmessungen (BxHxT)	48 x 48,5 x 59,5 cm
Gewicht	30,2 kg / 66,6 lbs.

LUCAS 2K18 Subwoofer	
Max SPL peak ²	128 dB
Frequenzgang +/- 5 dB	39 Hz - 130 Hz
Eingänge	2x Klinke/XLR-Kombibuchse
Ausgänge	2x XLR Thru, 2x Satellites Out (Speakon)
Basslautsprecher	1x 18"
Hochständerflansch	1x M20 (K&M)
Griffe	2x HK Audio MultiGrip
Abmessungen (BxHxT)	51 x 67 x 72,5 cm
Gewicht	42,6 kg / 93,9 lbs.

LUCAS 2K Satellite	
Max SPL peak ²	127 dB
Frequenzgang +/- 5 dB	118 Hz - 18 kHz
Mitteltonlautsprecher	1x 8"
Hochtontreiber	1"
Abstrahlung horizontal/vertikal	90° x 55°
Eingänge	Speaker In (Speakon)
Hochständerflansch	HK Audio MonoTilt 3°
Griffe	1x eingefräster HK Audio ErgoGrip
Abmessungen (BxHxT)	26,5 x 41,5 x 29,5 cm
Gewicht	11,4 kg / 25,1 lbs.

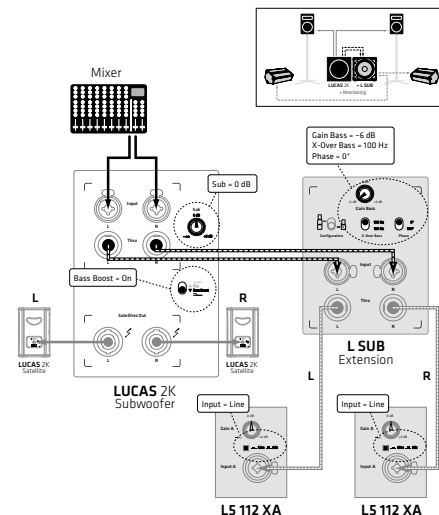
¹ Kurzzeit-RMS-Wert, gemessen unter Verwendung eines Sinus-Burst-Signals mit einer Taktrate von 1/4 und einem resultierenden Crest-Faktor von 9 dB bei einer für das System repräsentativen Frequenz

² @10% THD, Halfspace

Allgemeine Technische Daten	
Spitzenstrom	2,6 A / 100-120 V AC • 1,4 A / 220-240 V AC
Einschaltstrom	39 A bei 120 V und 230 V

8 Anwendungen

Anschlussbeispiele zur Verkabelung finden Sie ab Seite 32.



Consignes de sécurité importantes ! A lire avant de se connecter !

Ce produit a été construit conformément à la norme IEC 60065 par le fabricant et a quitté l'usine en bon état de marche. Pour garantir son intégrité et un fonctionnement sans risque, l'utilisateur se doit de suivre les conseils et les avertissements préconisés dans cette notice d'utilisation. En cas d'utilisation de ce produit dans un véhicule terrestre, un navire ou un avion, ou encore à une altitude supérieure à 2 000 mètres, il convient de prendre en considération les normes de sécurité suivantes, en plus de la norme IEC 60065.

ATTENTION : Afin d'éviter tout risque d'incendie et d'électrocution, n'exposez pas cet appareil à l'humidité ou à la pluie. N'ouvrez pas le boîtier ; les pièces se trouvant à l'intérieur ne nécessitent pas d'entretien de la part des utilisateurs. Adressez-vous à un spécialiste qualifié pour procéder à l'entretien de l'appareil.



Ce symbole, quel que soit l'endroit où il apparaît, vous signale des pièces sous tension non isolées dans le boîtier. Une tension suffisante pour présenter un risque d'électrocution.



Ce symbole, quel que soit l'endroit où il apparaît, vous signale des pièces sous tension accessibles depuis l'extérieur du boîtier. Tous les câbles extérieurs raccordés à un composant marqué de ce symbole doivent être de type préfabriqués et conformes aux spécifications du fabricant ou doivent avoir été installés par des spécialistes qualifiés.



Ce symbole, quel que soit l'endroit où il apparaît, vous signale des instructions importantes relatives à l'utilisation ou l'entretien de l'appareil à lire dans les documents l'accompagnant. Lisez la notice d'utilisation.



Ce symbole, quel que soit l'endroit où il apparaît, vous signale un risque de brûlure dû à une surface chaude. Ne touchez pas cette surface afin d'éviter de vous brûler.



Tous les appareils électriques et électroniques y compris les piles doivent être éliminés séparément des déchets ménagers auprès des points de collecte officiels prévus à cet effet.



Lisez ces instructions. Conservez ces instructions. Prenez en compte tous les avertissements et toutes les instructions mentionnés sur le produit ou dans cette notice d'utilisation.

- N'utilisez pas ce produit à proximité de l'eau. Ne le placez pas près de l'eau, d'une baignoire, d'un bassin, d'un évier, d'une surface humide, d'une piscine ou d'une pièce humide.
- Ne mettez pas d'objet contenant du liquide sur l'appareil, par exemple, un vase, un verre ou une bouteille, etc.
- Nettoyez-le exclusivement avec un chiffon sec.
- N'enlevez pas le boîtier, ne serait-ce que partiellement.
- La tension de fonctionnement de l'appareil doit être réglée de manière à correspondre à la tension d'alimentation de l'endroit où vous vous trouvez. Si vous n'êtes pas sûr de connaître la tension d'alimentation, demandez à votre revendeur ou à la compagnie d'électricité locale.
- Avant de brancher l'appareil, assurez-vous systématiquement que l'installation électrique (alimentation) dispose de systèmes de protection suffisants contre les courts-circuits et les erreurs de mise à la terre des appareils raccordés.
- Afin de réduire le risque d'électrocution, vous ne devez jamais supprimer la mise à la terre de l'appareil. Utilisez uniquement le câble d'alimentation fourni avec le produit et maintenez la broche centrale de la prise (mise à la terre) en état de fonctionnement. Ne négligez pas la sécurité offerte par les prises polarisées ou avec mise à la terre. Assurez-vous que l'appareil est bien raccordé à une prise disposant d'une terre de protection et que celle-ci est en ordre de marche.
- Protégez le câble d'alimentation afin d'éviter que quelqu'un marche dessus ou qu'il soit pincé, notamment près de la prise, de la prise murale ou à la sortie de l'appareil même ! Les câbles d'alimentation doivent être tout le temps maniés avec précaution. Vérifiez régulièrement que le câble n'est pas fendu ou qu'il ne présente pas de signe d'usure, en particulier près de la prise et à la sortie de l'appareil.
- N'utilisez jamais de câble d'alimentation usé.
- Débranchez l'appareil en cas d'orage ou si vous ne l'utilisez pas pendant une longue période.
- Débranchez l'appareil uniquement en le tenant par la prise au niveau de la prise murale ou de la rallonge. L'appareil doit être placé de telle manière à ce qu'il puisse être débranché facilement à tout moment.
- Fusibles : si nécessaire, remplacez-les uniquement par des fusibles de type IEC127 (5x20 mm) afin de garantir une meilleure performance. Il est interdit d'utiliser des fusibles bricolés ou de raccourcir le porte-

fusible. Seul un personnel qualifié est habilité à remplacer les fusibles.

- Confiez tous les travaux d'entretien à des spécialistes qualifiés. Il est nécessaire d'effectuer de tels travaux lorsque l'unité a été endommagée, comme par exemple dans les cas suivants :
 - Lorsque le câble d'alimentation est endommagé ou effiloché.
 - Si du liquide a pénétré ou un objet est tombé dans le boîtier.
 - Si l'appareil a été exposé à la pluie ou à l'humidité.
 - Si l'appareil ne fonctionne pas correctement alors que vous avez suivi toutes les instructions à la lettre.
 - Si l'appareil est tombé ou que le boîtier est endommagé.
- En cas de raccordement de haut-parleurs à cet appareil, il faut veiller à ne pas descendre sous l'impédance minimale indiquée sur ledit appareil ou dans la présente notice. Les câbles employés doivent présenter une section suffisante, qui soit conforme aux réglementations locales en vigueur.
- Ne l'exposez pas directement aux rayons du soleil.
- Ne l'installez pas à proximité d'une source de chaleur, telle qu'un radiateur, une grille de chauffage, un four ou tout autre appareil susceptible de produire de la chaleur.
- Cet appareil est conçu pour une utilisation dans des zones climatiques modérées. Il n'est pas adapté pour une utilisation dans des pays à climat tropical.
- Ne masquez pas les bouches d'aération. Installez l'appareil conformément aux instructions du fabricant. Il ne doit pas être placé dans un emplacement confiné, comme un rack ou une console, sauf si une ventilation suffisante est garantie.
- Si vous déplacez l'appareil, attendez qu'il soit à température ambiante avant de le démarrer, sinon de la condensation peut se former à l'intérieur et endommager l'appareil.
- Ne posez pas de feu à flamme ouverte sur l'appareil, comme par exemple une bougie allumée.
- L'appareil doit être placé à au moins 20 cm/8" pouces du premier mur.
- Utilisez l'appareil uniquement avec un chariot, un support, un trépied, des fixations ou une table recommandés par le fabricant ou vendus avec le produit. Si vous utilisez un chariot, maniez-le avec précaution afin d'éviter tout risque de blessure s'il se renverse.
- Utilisez uniquement les accessoires recommandés par le fabricant. Cette consigne concerne toute sorte d'accessoires, qu'il s'agisse de couvercles de protection, de sacs de transport, de supports ou de dispositifs de fixation au mur ou au plafond. Si vous fixez un accessoire à l'appareil, suivez toujours les instructions d'utilisation du fabricant. N'utilisez pas d'autres points de fixation que ceux préconisés par le fabricant.
- Cet appareil NE convient PAS aux personnes dont les capacités motrices, sensorielles ou mentales sont déficientes (y compris les enfants) ou aux personnes ne disposant pas de l'expérience ou des connaissances nécessaires pour faire fonctionner le présent appareil. Cet appareil doit dans tous les cas et être tenu constamment hors de portée des enfants de moins de quatre ans.
- N'insérez jamais d'objets à travers les grilles du boîtier, car ils pourraient toucher des pièces sous tension dangereuses ou provoquer un court-circuit pouvant causer un risque d'incendie ou d'électrocution.
- Cet appareil est capable de délivrer un niveau de pression acoustique de 90 dB, pouvant ainsi causer des troubles irréversibles de l'audition ! L'exposition continue à une nuisance sonore peut provoquer une perte d'audition permanente. Portez des protections auditives adéquates si vous vous exposez de manière continue à un tel niveau de pression acoustique.
- Le fabricant garantit la sécurité, la fiabilité et l'efficacité de l'assemblage, l'extension, le réajustement, la modification ou la réparation de l'appareil ont été effectués par le fabricant ou par des personnes agréées pour ce genre de travaux.
- l'installation électrique concernée est conforme aux normes IEC (ANSI).
- l'unité est utilisée conformément aux instructions d'utilisation.
- Ce produit a été optimisé pour une utilisation avec des signaux musicaux ou voix. Une utilisation avec des signaux sinusoïdaux, rectangulaires ou autres signaux de mesure risque de l'endommager gravement.

Consignes de sécurité générales pour systèmes de haut-parleurs



Les systèmes de fixation doivent exclusivement être employés pour les systèmes de haut-parleurs fournis par le fabricant et avec les accessoires de montage tels qu'évoqués dans la notice de montage. Dans ce cadre, il convient de respecter scrupuleusement les indications de montage du fabricant. En cas d'utilisation non conforme d'accessoires ou d'installation d'accessoires de montage non d'origine, le dommage en résultant éventuellement ne sera pas couvert par la garantie et la responsabilité du fabricant ne pourra en aucun cas être engagée. Si des modifications sont apportées aux haut-parleurs, aux accessoires de montage, aux raccords et fixations ainsi qu'au matériel d'élingage, la portabilité du système ne pourra plus être garantie et la responsabilité du fabricant ne pourra en aucun cas être engagée.

Toute réparation d'éléments de sécurité ne peut être effectuée que par le fabricant ou son représentant agréé, faute de quoi le permis d'exploitation s'éteint.



L'installation sera exclusivement réalisée par un spécialiste, et ce, uniquement dans des zones de montage présentant une capacité de charge suffisante, un point à vérifier notamment par la prise en compte des normes de construction appliquées. Le matériel de fixation prescrit par le constructeur dans la notice de montage (vis, chevilles, etc.) doit impérativement être employé. Les raccords boulonnés doivent être assurés contre tout desserrement au moyen de mesures appropriées.



Les installations fixes ou mobiles (ici les haut-parleurs, accessoires de montage compris) doivent être assurés contre la chute par deux dispositifs indépendants l'un de l'autre. Les éléments supplémentaires lâches ou les pièces se desserrant doivent pouvoir être retenus par des dispositifs adaptés. En cas d'utilisation de raccords, d'éléments de fixation et de matériel d'élingage, il convient de respecter les dispositions nationales en la matière. Le calcul du dimensionnement des dispositifs de sécurité requiert la prise en compte des charges dynamiques possibles (forces de recul).



En cas d'utilisation de trépieds, il faut surtout prendre en considération la charge maximale supportée. En outre, de par leur conception, la plupart des trépieds permettent uniquement de supporter des charges parfaitement centrées. Les trépieds doivent dès lors être disposés de façon stable. Il est nécessaire d'assurer les trépieds par des mesures supplémentaires dans les cas suivants (liste non exhaustive) :

- lorsque leur surface de pose n'offre pas une stabilité suffisante ;
- lorsque leur hauteur limite leur stabilité ;
- lorsque la force du vent risque d'être élevée ;
- lorsqu'ils risquent d'être heurtés par des personnes.

Des mesures particulières peuvent également s'avérer nécessaires, à titre préventif, pour se prémunir contre des comportements dangereux de la part de spectateurs. Les trépieds ne doivent donc pas être disposés dans des voies d'évacuation ou des passages réservés aux secours. En cas d'installation sur des voies de circulation, veiller à respecter la largeur de circulation requise, à verrouiller le secteur de façon adaptée et à mettre en place la signalisation idoine. Le montage et le démontage sont des phases qui présentent des risques particuliers. Il faut dès lors employer des moyens auxiliaires appropriés. Veiller également, lors de ces opérations, à respecter la législation nationale en la matière.



Lors du montage, il est indispensable de porter des équipements de sécurité adaptés (en particulier un casque, des gants et des chaussures de sécurité) et d'utiliser uniquement des dispositifs d'aide à l'ascension adaptés (échelles, échafaudages, etc.). La responsabilité dans ce domaine incombe uniquement à la société de montage exécutante.



ATTENTION ! À l'issue du montage, il y a lieu de contre-vérifier la fixation ou la suspension du système (haut-parleurs et supports). L'exploitant des systèmes de haut-parleurs (fixes ou mobiles) est tenu de vérifier, ou de faire vérifier, tous les composants du système en fonction des réglementations en vigueur dans le pays concerné, et de faire éliminer sans délai les éventuels défauts constatés.

En outre, nous recommandons fortement de constituer une documentation détaillée sur toutes les mesures d'inspection dans les registres de contrôle ou similaires. En cas d'utilisation prolongée ou permanente de haut-parleurs en plein air, tenir compte, pour la stabilité et la capacité portante des structures et surfaces, de l'influence de paramètres tels le vent, la neige, la glace et autres facteurs thermiques. Dans ce cas, il convient en particulier de dimensionner avec des réserves de sécurité suffisantes les points de support de charge de systèmes suspendus. Veiller également, lors de ces opérations, à respecter la législation nationale en la matière.

• Adressez-vous au fabricant pour savoir si votre produit convient à un usage en extérieur.



Les systèmes de haut-parleurs professionnels sont capables de produire des niveaux sonores dangereux pour la santé. Même des niveaux sonores a priori inoffensifs peuvent, en cas d'exposition prolongée, provoquer des pertes auditives irréversibles (à partir de 95 dB(A) SPL environ) ! C'est pourquoi nous conseillons à toutes les personnes soumises à des niveaux sonores élevés en raison de l'exploitation de systèmes de haut-parleurs, de porter des protections auditives professionnelles (bouchons d'oreilles ou casques antibruit).

Fabricant : Stamer Musikanlagen GmbH, Magdeburger Str. 8, 66606 St. Wendel, Allemagne

LUCAS 2K15 / 2K18

Bienvenue dans la famille HK Audio !

Nous vous remercions d'avoir opté pour un produit de notre marque, produit que nous avons développé et fabriqué pour vous, avec le plus grand soin.



Même si vous avez déjà une longue expérience des installations de sonorisation, vous constaterez que ce produit affiche certaines caractéristiques qui seront nouvelles pour vous. C'est pourquoi nous vous conseillons de lire la présente notice et de la conserver ensuite pour consultation ultérieure.

Nous vous souhaitons le meilleur des sons !

L'équipe HK Audio

Garantie

Vous pouvez utiliser notre service d'enregistrement en ligne convivial sur notre site www.hkaudio.com.



<http://warranty.hkaudio.com>

L'enregistrement est uniquement valable lorsqu'il est effectué dans les 30 jours qui suivent la date d'achat.

HK AUDIO

Service technique
Postfach 1509
66595 St. Wendel, Allemagne
Fax: +49 6851 905 100



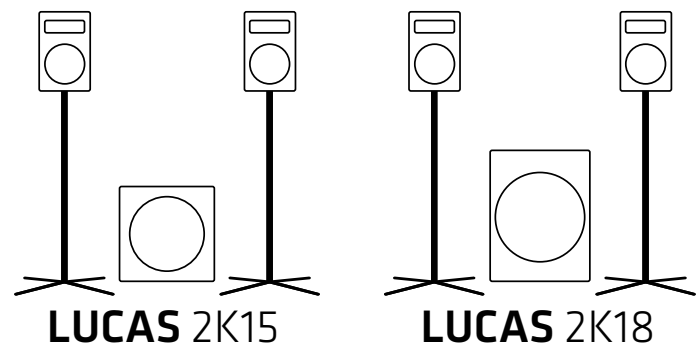
Conseil : La fonctionnalité de ce produit peut être perturbée par de puissants champs électromagnétiques ou des décharges électrostatiques. Dans ce cas, il conviendra de couper l'appareil, puis de le rallumer pour restaurer la fonctionnalité. Si cette mesure ne suffit pas, l'appareil doit être éloigné de la source perturbatrice.

1 Généralités

Contenu de la livraison

Lors du déballage de votre LUCAS 2K15 ou de votre LUCAS 2K18, vérifiez l'intégrité de la livraison. Le LUCAS 2K se compose d'un subwoofer système et de deux satellites. Le câble d'alimentation secteur adapté est également fourni.

Composants système



Subwoofer

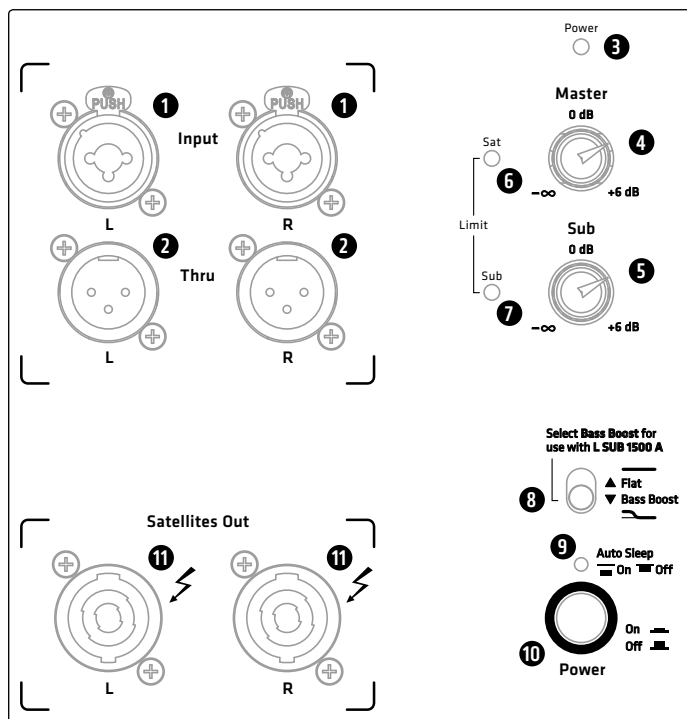
Le subwoofer système abrite un haut-parleur de basses de 15" (LUCAS 2K15) ou de 18" (LUCAS 2K18), l'électronique système active ainsi que les étages de sortie de classe D. Au dos figurent le panneau de commandes et les connexions.

Die Satelliten

Les deux satellites (identiques sur les LUCAS 2K15 et LUCAS 2K18) sont dotés d'un haut-parleur de médiums/graves de 8" et d'un moteur à compression de 1", avec pavillon CD 90° x 55°. Au dos de chacun des deux se trouve une entrée Speakon NL2 et sur la face inférieure, une embase pour pied MonoTilt™ 3°, qui permet de monter chacun des satellites sur un pied pour enceinte.

Conseil : les composants du système sont acoustiquement harmonisés de façon optimale les uns avec les autres et doivent donc uniquement être utilisés dans la configuration proposée. Dès lors, en cas d'utilisation d'autres satellites, non seulement le son sera influencé négativement, mais l'étage de sortie, ainsi que d'autres appareils tiers éventuellement raccordés, pourraient subir des dommages.

2 Raccords et commandes



1 Input

Douilles d'entrée symétriques combinées (XLR/jack) permettant le raccordement d'un signal Line stéréo (G/D). Raccordez ici le câble de signal de votre contrôleur DJ, table de mixage, clavier ou autre, via un câble XLR ou un jack 6,35 mm.

2 Thru

Sorties XLR symétriques parallèles, pour la transmission du signal d'entrée présent en Input (1) (G/D). Les douilles Thru permettent de transmettre ce signal stéréo à d'autres composants, comme des moniteurs actifs. Les douilles Thru servent également à la connexion de l'extension de basses optionnelle recommandée avec les subwoofers de la série HK Audio LINEAR SUB : L SUB 1500 ou L SUB 1800 A.

Conseil : nous garantissons l'interaction acoustique correcte des différents composants uniquement pour les deux extensions de sub recommandées par nous.

3 LED d'alimentation (Power)

Cette DEL s'allume en vert lorsque l'interrupteur marche/arrêt (10) (Power) est sur « On » et qu'une connexion secteur est présente.

4 Potentiomètre Master

Le potentiomètre Master permet d'adapter la sensibilité en entrée et ainsi, le volume de la totalité du système LUCAS 2K. Avant la mise sous tension du système, coupez le potentiomètre Master (le placer en butée de gauche).

5 Potentiomètre Sub

Le potentiomètre Sub permet de régler séparément le niveau du subwoofer. En position 0 dB (clic central), le système dispose d'un rapport de volume relativement équilibré entre satellites et subwoofer.

6 LED Limit Sat

Cette LED indique l'intervention du limiteur sur la plage de travail des satellites.

Attention ! Si la LED Sat reste rouge durablement avec l'appareil en fonctionnement, c'est que le système subit une surcharge. Réduisez alors le niveau du potentiomètre Master ! Si aucun signal n'est présent et que la LED reste allumée en rouge durablement, c'est que le système présente un dysfonctionnement – contactez alors notre service technique.

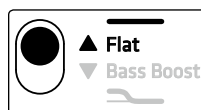
7 LED Limit Sub

Cette LED indique l'intervention du limiteur sur la plage des extrêmes basses du subwoofer.

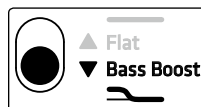
Attention ! Si la LED Sub reste rouge durablement avec l'appareil en fonctionnement, c'est que le système subit une surcharge. Réduisez alors le niveau du potentiomètre Sub ou Master ! Si aucun signal n'est présent et que la LED reste allumée en rouge durablement, c'est que le système présente un dysfonctionnement – contactez alors notre service technique.

8 Commutateur « Flat/Boost »

Optimisation de la réponse en fréquence gérée par DSP, selon l'application en cours.



Position « Flat » : sur cette position, le LUCAS 2K présente une image sonore équilibrée, réglée d'usine.



Position « Bass Boost » : la fonction Bass Boost augmente la part d'extrêmes basses du subwoofer et confère au LUCAS 2K, au besoin, une pression de basses supérieure.

Parallèlement, ce commutateur sert à adapter le LUCAS 2K en cas d'utilisation d'une extension de basses optionnelle de la série LINEAR SUB (voir également le chapitre 5 « Extension de basses avec L SUB 1500 ou L SUB 1800 » et les exemples de connexion en annexe, à partir de la page 32).

9 Fonction Auto Sleep

Le système LUCAS 2K intègre une fonction Auto Sleep désactivable. En position « On » (fonction Auto Sleep activée), l'étage de sortie bascule en mode veille – pour autant que le signal ait été absent pendant 350 minutes (consommation : environ 0,5 watt). Pour ramener le LUCAS 2K en mode de fonctionnement, coupez l'alimentation au niveau de l'interrupteur marche/arrêt (Power 10) pendant 5 secondes, puis rallumez. En position « Off », la fonction Auto Sleep est désactivée ; le LUCAS 2K reste alors activé en permanence.

10 Interrupteur Power

Interrupteur marche/arrêt du LUCAS 2K. Lorsque le système est activé, la LED Power (3) s'allume en vert.

11 Sorties Satellites Out

Douilles de sorties haut-parleurs permettant le raccordement des satellites du LUCAS 2K, via des câbles de haut-parleurs compatibles NL2 Speakon (+1/-1, section de câble : 1,5 mm² min.). Ces douilles de sortie seront uniquement raccordées aux satellites du LUCAS 2K. Si d'autres appareils devaient être raccordés, ils pourraient être détruits, au même titre d'ailleurs que le subwoofer du LUCAS 2K.

Conseil : les connecteurs des haut-parleurs viennent s'encliqueter par rotation dans le sens des aiguilles d'une montre. Pour les débrancher, il convient tout d'abord de retirer la sécurité. Pour ce faire, faire tourner la fermeture à baïonnette dans le sens du câble et dans le sens contraire des aiguilles d'une montre.

12 Prise Mains

Le câble secteur fourni vient se brancher sur cette prise côté appareil et sur la prise secteur de l'autre.

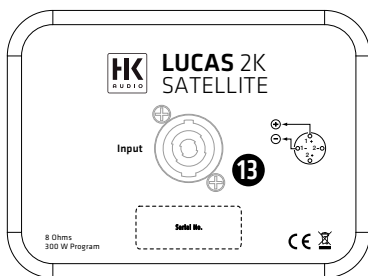
Conseil : le LUCAS 2K est doté de prises d'entrée secteur verrouillables de type V-Lock. Le raccordement verrouillable (« Volex » ou de conception similaire, disponible en option) permet de bloquer le cordon secteur et d'éviter ainsi tout débranchement accidentel de celui-ci.



Attention ! Veillez à ce que la tension indiquée sur le subwoofer du LUCAS 2K corresponde à la tension secteur disponible. En effet, le raccordement à une tension secteur incorrecte est susceptible de détruire l'électronique de l'appareil.

13 Satellite Input

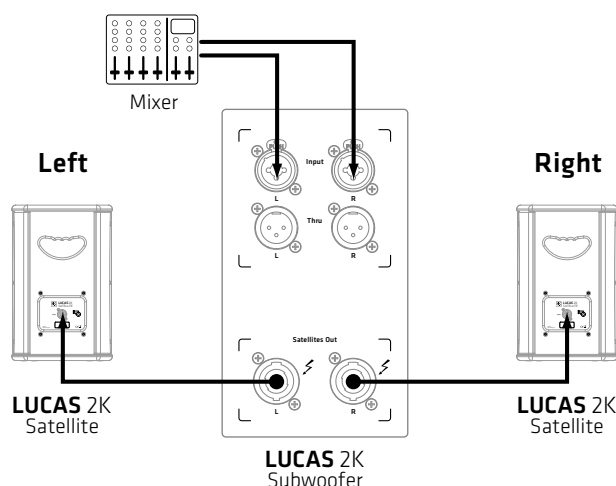
Via les douilles d'entrée pour haut-parleurs, raccordez les satellites Out (11) du subwoofer système au moyen de câbles de haut-parleurs compatibles NL2 Speakon (+1/-1, section de câble : 1,5 mm² min.).



3 Mise en service

- Veillez à ce que le câble secteur soit raccordé et à ce que l'interrupteur marche/arrêt (Power, 10) soit en position Off.
- Coupez l'interrupteur Master (4) (le ramener en butée de gauche).
- Raccordez les deux satellites au subwoofer système.
- Allumez tous les composants raccordés au système LUCAS 2K.
- Activez à présent le système via l'interrupteur marche/arrêt (Power, 10).

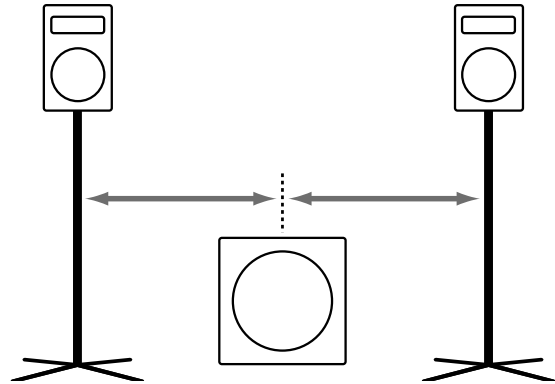
Attention : Le LUCAS 2K doit toujours être mis sous tension en dernier, c'est-à-dire après tous les autres composants. De la même façon, c'est lui qui sera coupé en premier, avant tous les appareils raccordés.



4 Installation

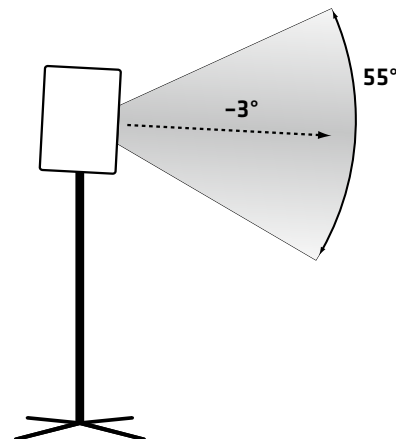
4.1 Disposition du système

Afin de garantir une image sonore stéréo la plus homogène possible, le subwoofer doit être placé au centre, entre les deux satellites.



4.2 Orientation verticale des satellites

Grâce à l'angle de 3° de l'embase pour pied MonoTilt™ prévue sur les satellites, ceux-ci reposent toujours sur leur centre de gravité et, en raison de leur légère inclinaison, sont mieux orientés vers le public.



L'embase pour pied MonoTilt™ présentant un diamètre de 36 mm, les satellites du LUCAS 2K peuvent être montés sur tout type de pied de haut-parleur disponible dans le commerce.

Conseil : veillez toujours à ce que les pieds reposent correctement sur le sol et à respecter les indications de poids maximal, telles que fournies par le fabricant.

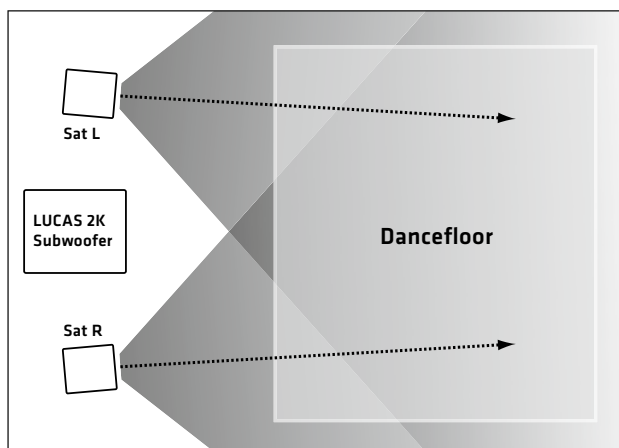
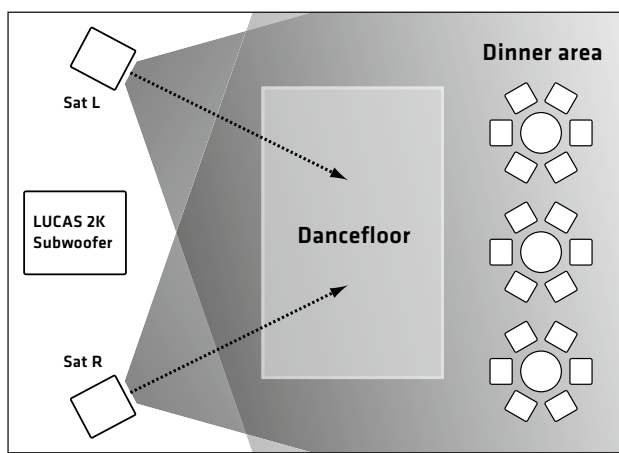
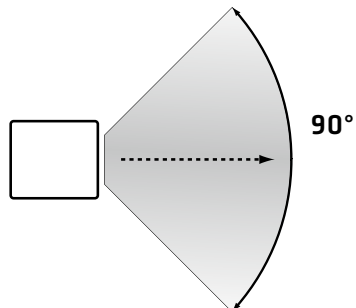


Attention !

- Seuls peuvent être employés des pieds qui, après montage des satellites, garantissent la sécurité à l'inclinaison. Le pied doit être conçu pour supporter le poids du satellite concerné. La hauteur de déploiement totale doit donc être limitée à celle garantissant que la combinaison du pied et du satellite ne bascule pas. Cette consigne vaut uniquement pour une mise en place sur une surface horizontale.
- En cas d'installation sur une surface inégale ou inclinée, il convient de s'assurer que la sécurité d'inclinaison est garantie, soit grâce à des poids de lestage appropriés sur la base des pieds, soit par l'adoption d'autres mesures de sécurité.
- Le recours à d'autres dispositifs peut provoquer une instabilité et dès lors, causer des blessures.

4.3 Orientation horizontale des satellites

La plage d'orientation horizontale des satellites est d'environ 90°. Vous orienterez ceux-ci en fonction de la taille de la salle.



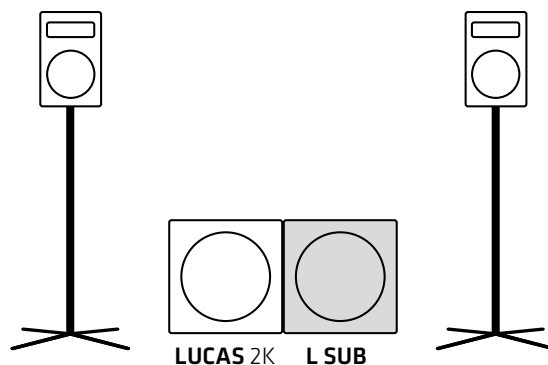
5 Extension de basses pour L SUB 1500 ou L SUB 1800

Le LUCAS 2K offre en outre la possibilité d'étendre le système grâce à un subwoofer supplémentaire (L SUB 1500 A pour le LUCAS 2K15 et L SUB 1800 A le pour LUCAS 2K18).

- Pour ce faire, raccordez, via deux câbles XLR, les douilles Thru (G/D) (2) du subwoofer du LUCAS 2K aux douilles Input (G/D) du subwoofer L SUB.
- Amenez le commutateur de filtrage (8) du subwoofer du LUCAS 2K en position « Bass Boost », puis le potentiomètre du sub (5) en position 0 dB (clic central). Si un L SUB est raccordé, placez le Gain du sub sur -6 dB, le X-Over sur 100 Hz et le commutateur de phase sur 0°.

Conseil : pour toute information complémentaire, consultez les exemples de raccordement en annexe, à partir de la page 32.

Pour obtenir une image sonore la plus homogène possible, positionnez les deux subwoofers l'un à côté de l'autre, de la façon la plus centrale possible par rapport aux deux satellites.



6 Accessoires HK Audio (en option)

1. Kit SPEAKER STAND ADD-ON

Contenu : 2x trépied aluminium pour enceinte, réglable en hauteur (de 112 à 190 cm), 2x câble de haut-parleur, 1x housse.

2. Kit LUCAS 2K ROLLER BAG

Contenu : set de trois housses souples (1x pour le subwoofer, avec plateau à roulettes intégré et 2x pour satellites), gris foncé.

3. ROULETTES 100 mm, bleues

Les roulettes disponibles en option viennent se fixer au dos du sub du LUCAS 2K, via les vis à embase crantée présentes sur les coins.

Attention ! Une fois les roulettes montées directement sur le sub, la housse à roulettes pour LUCAS 2K ne peut plus être employée. Dans ce cas, il convient d'utiliser la housse de protection rembourrée adaptée, propre à chacune des extensions de basses L SUB 1500 A ou L SUB 1800 A.

7 Caractéristiques techniques

Système LUCAS 2K	
Puissance complète (RMS) ¹	670 W, classe D
Puissance de crête calculée	2000 W
Caractéristiques du DSP	Filtrage FIR, filtre Subsonic 24 dB, limiteur de crête et RMS
Caisse	MDF
Surface	Laque acrylique noire
Grille	Grille métallique avec mousse acoustique noire
Accessoires (en option)	LUCAS 2K ROLLER BAG (housse à roulettes), SPEAKER STAND ADD-ON (pieds supplémentaires pour haut-parleurs), SPEAKER STAND STRETCH COVER (Cover en toile tendue pour pied d'enceinte)
Poids total (2K15)	53,0 kg / 116,9 lbs.
Poids total (2K18)	65,4 kg / 144,2 lbs.

Subwoofer du LUCAS 2K15	
Crête SPL max. ²	129 dB
Réponse en fréquence +/- 5 dB	44 Hz - 130 Hz
Entrées	2x douille combinée jack/XLR
Sorties	2x XLR Thru, 2x satellites Out (Speakon)
Haut-parleur de basses	1x 15"
Embase pour pied	1x M20 (K&M)
Poignées	2x HK Audio MultiGrip
Dimensions (l x H x P)	48 x 48,5 x 59,5 cm
Poids	30,2 kg / 66,6 lbs.

Subwoofer du LUCAS 2K18	
Crête SPL max. ²	128 dB
Réponse en fréquence +/- 5 dB	39 Hz - 130 Hz
Entrées	2x douille combinée jack/XLR
Sorties	2x XLR Thru, 2x satellites Out (Speakon)
Haut-parleur de basses	1x 18"
Embase pour pied	1x M20 (K&M)
Poignées	2x HK Audio MultiGrip
Dimensions (l x H x P)	51 x 67 x 72,5 cm
Poids	42,6 kg / 93,9 lbs.

Satellites du LUCAS 2K	
Crête SPL max. ²	127 dB
Réponse en fréquence +/- 5 dB	118 Hz - 18 kHz
Haut-parleur de médiums	1x 8"
Moteur d'aigus	1"
Diffusion horizontale/verticale	90° x 55°
Entrées	Speaker In (Speakon)
Embase pour pied	HK Audio MonoTilt 3°
Poignées	1x HK Audio ErgoGrip™ fraisée
Dimensions (l x H x P)	26,5 x 41,5 x 29,5 cm
Poids	11,4 kg / 25,1 lbs.

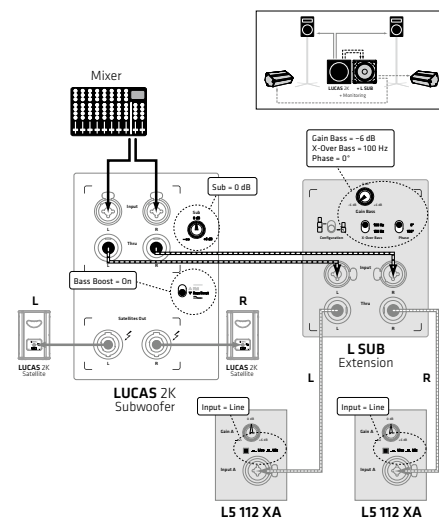
¹ Valeur RMS courte, mesurée par utilisation d'un signal de rafale sinus., avec une cadence de 1/4 et un facteur de crête résultant de 9 dB, à une fréquence représentative du système.

² A 10% de THD, Halfspace

Caractéristiques techniques générales	
Courant de crête	2,6 A / 100-120 V AC • 1,4 A / 220-240 V AC
Courant d'enclenchement	39 A en 120 V et en 230 V

8 Applications

Vous trouverez des exemples de câblage à partir de la page 32.



Istruzioni di sicurezza importanti.

Leggere prima di effettuare il collegamento!

Il presente prodotto è stato fabbricato dal produttore in conformità alla norma IEC 60065 ed è uscito dallo stabilimento in perfette condizioni di funzionamento. Per preservare tali condizioni e garantirne l'uso sicuro, l'utente deve attenersi alle indicazioni e alle avvertenze riportate nelle istruzioni per l'uso. Se volete usare questo prodotto su veicoli, a bordo di navi o di aerei oppure ad altitudini superiori a 2000 m dovete badare alle rispettive norme di sicurezza supplementive alla norma IEC 60065.

AVVISO: Per evitare il rischio di incendio o folgorazione, non esporre l'apparecchio ad umidità o pioggia. Non aprire l'involucro poiché al suo interno non vi sono parti riparabili dall'utente. Per la riparazione rivolgersi a personale tecnico qualificato.



Questo simbolo segnala la presenza all'interno dell'involucro di tensione pericolosa priva di isolamento sufficientemente alta da costituire un pericolo di folgorazione.



Questo simbolo segnala la presenza di tensione pericolosa accessibile dall'esterno. Il cablaggio esterno collegato ad un qualunque morsetto contrassegnato da questo simbolo deve essere un cavo preconfezionato conforme ai requisiti indicati dal produttore o un cablaggio installato da personale qualificato.



Questo simbolo segnala importanti istruzioni per l'uso e la manutenzione nella documentazione allegata. Leggere il manuale.



Questo simbolo ha il seguente significato: Attenzione! Superficie calda! Non toccare per evitare scottature.



Apparecchiature elettriche o elettroniche di qualsiasi tipo, batterie incluse, non appartengono nell'immondizia - smaltite questo tipo di rifiuti presso gli ufficiali centri di raccolta.



Leggere queste istruzioni. Conservare queste istruzioni. Attenersi a tutti gli avvisi e istruzioni riportati sul prodotto e nel manuale.

- Non utilizzare il prodotto vicino all'acqua. Non collocare il prodotto vicino ad acqua, vasche, lavandini, zone umide, piscine o stanze con presenza di vapore.
- Non collocare sul prodotto oggetti contenenti liquidi, quali vasi, bicchieri, bottiglie ecc.
- Pulire solo con un panno asciutto.
- Non togliere alcun coperchio o parti dell'involucro.
- La tensione di esercizio prescritta per il prodotto deve corrispondere alla tensione di alimentazione della rete locale. In caso di dubbi sul tipo di alimentazione disponibile, rivolgersi al proprio rivenditore o all'azienda di fornitura elettrica locale.
- Prima di collegare l'apparecchio, verificate che l'impianto elettrico sia munito di adatti dispositivi di protezione contro corto circuito e errori della messa a terra in apparecchi collegati.
- Per ridurre il rischio di folgorazione, la messa a terra del prodotto deve essere mantenuta. Utilizzare solo il cavo di alimentazione in dotazione al prodotto e mantenere sempre in funzione il connettore centrale (di terra) del collegamento alla rete. Non escludere la funzione di sicurezza del connettore polarizzato o di messa a terra. Collegate l'apparecchio soltanto a prese di corrente con messa in terra conforme alle norme vigenti.
- Proteggere il cavo di alimentazione affinché non venga calpestato o pizzicato, in particolare in corrispondenza delle prese e degli innesti e nel punto di uscita dal dispositivo. Maneggiare sempre con cura i cavi di alimentazione. Controllare periodicamente la presenza di tagli o usura sui cavi, soprattutto all'altezza della presa e nel punto di uscita dal dispositivo.
- Non utilizzare mai il cavo di alimentazione se danneggiato.
- Scollegare il prodotto in caso di temporale o di lunghi periodi di inutilizzo.
- Il prodotto si scollega completamente dall'alimentazione di rete solo staccando la spina di alimentazione dall'unità o dalla presa a muro. Il prodotto va collocato sempre in modo che sia possibile scollegarlo dall'alimentazione con facilità.
- Fusibili: per garantire prestazioni ottimali, i fusibili utilizzati come ricambio devono essere di tipo IEC127 (5x20 mm) e dell'ampérage nominale richiesto. È vietato utilizzare fusibili riparati o cortocircuitare il portafusibili. Fate sostituire i fusibili soltanto da un tecnico qualificato.

- Per tutte le operazioni di riparazione, rivolgersi a personale qualificato. L'unità va riparata nel caso abbia subito danni, come nei seguenti casi:
 - Il cavo o la presa di alimentazione sono danneggiati o usurati.
 - È penetrato del liquido o degli oggetti all'interno del prodotto.
 - Il prodotto è stato esposto a pioggia o umidità.
 - Il prodotto non funziona correttamente seguendo le istruzioni.
 - Il prodotto ha subito una caduta o l'armadio è stato danneggiato.
- Quando collegate altoparlanti badate di non scendere sotto l'impedenza minima dichiarata sull'apparecchio oppure in questo manuale. Usate sempre cavi dello spessore adatto e corrispondenti alle vigenti norme locali.
- Non esporre ai raggi solari diretti.
- Non installare accanto a fonti di calore quali radiatori, bocchette di diffusione d'aria calda, fornelli o altri dispositivi che generano calore.
- Apparecchiature elettriche o elettroniche di qualsiasi tipo, batterie incluse, non appartengono nell'immondizia - smaltite questo tipo di rifiuti presso gli ufficiali centri di raccolta.
- Non chiudere le aperture di ventilazione. Installare l'unità seguendo le istruzioni fornite dal produttore. Il prodotto non è adatto all'installazione ad incasso, ad esempio in un rack, a meno di non garantire un'adeguata ventilazione.
- Quando viene spostato all'interno di un locale, attendere sempre che il dispositivo, se freddo, raggiunga la temperatura ambiente. Qualora venga utilizzato senza che si sia riscaldato, sussiste il rischio di formazione di condensa al suo interno e di conseguenti danni.
- Non collocare sul prodotto fiamme libere, come ad esempio candele accese.
- Il dispositivo va collocato ad almeno 20 cm/8" di distanza dalle pareti.
- Utilizzare solo in abbinamento al carrello, supporto, piedistallo, staffa o tavola specificati dal produttore o venduti insieme al prodotto. Qualora si utilizzi un carrello, prestare attenzione nello spostare il carrello/la combinazione di prodotto per evitare lesioni causate dall'inciampamento.
- Utilizzare solo accessori consigliati dal produttore. Tale prescrizione si applica a tutti i tipi di accessori, ad esempio coperchi di protezione, borse per il trasporto, supporti, dispositivi per il montaggio a parete o a soffitto, ecc. In caso di applicazione di qualsiasi tipo di accessorio al prodotto, osservare sempre le istruzioni per l'uso fornite dal produttore. Non utilizzare mai punti di fissaggio sul prodotto diversi da quelli indicati dal produttore.
- Questo apparecchio NON è adatto all'uso da parte di persone (compresi i bambini) con capacità fisiche, mentali o sensoriali limitate o da persone prive della necessaria esperienza e/o conoscenza. Tenere sempre l'apparecchio al di fuori della portata dei bambini di età inferiore ai 4 anni.
- Non inserire mai oggetti di alcun tipo all'interno del prodotto attraverso le fessure dell'armadio, poiché potrebbero toccare punti con presenza di tensione pericolosa o causare il cortocircuito dei componenti, con il conseguente rischio di incendio o folgorazione.
- Questo prodotto genera livelli di pressione sonora superiori a 90 dB in grado di causare danni permanenti all'udito. L'esposizione a livelli di rumore estremamente elevati può causare la perdita permanente dell'udito. In caso di esposizione continua, indossare protezioni per l'udito.
- Il produttore garantisce la sicurezza, l'affidabilità e l'efficienza del prodotto solo se:
 - l'assemblaggio, l'ampliamento, la reimpostazione, le modifiche o le riparazioni sono eseguiti dal produttore o da personale autorizzato.
 - l'impianto elettrico dell'area interessata è conforme ai requisiti specificati nelle norme IEC (ANSI).
 - l'unità è utilizzata secondo le istruzioni per l'uso.
- Questo prodotto è stato concepito per un'ottima riproduzione di segnali vocali e musicali. Una riproduzione di segnali sinusoidali, onde quadre o altri segnali di misurazione a livelli elevati può gravemente danneggiare l'apparecchio.

Avvisi di sicurezza per sistemi di altoparlanti



Usate soltanto sistemi di montaggio autorizzati dal produttore per il rispettivo sistema di altoparlanti. Seguite attentamente le istruzioni di montaggio ed usate soltanto accessori di montaggio omologati. È escluso qualsiasi diritto di garanzia in caso di montaggio improprio o se vengono usati accessori di montaggio non omologati. Modificazioni agli altoparlanti, agli accessori di montaggio, agli elementi di connessione e di fissaggio e alle imbracature potrebbero alterare la stabilità del sistema e faranno decadere ogni forma di garanzia. La riparazione di componenti rilevanti dal punto di vista della sicurezza deve venir eseguita soltanto dal produttore o da un suo rappresentante autorizzato - altrimenti decadrà ogni forma di garanzia.



L'installazione deve venir eseguita soltanto da personale competente. Usate soltanto punti di montaggio con una sufficiente capacità portante, considerando eventuali vincoli architettonici. È assolutamente obbligatorio di usare il materiale di fissaggio (viti, tasselli ecc.) indicato nelle istruzioni di montaggio del produttore. Adottate provvedimenti adatti (frenafili, dadi autobloccanti) per prevenire un allentamento dei raccordi filettati.



Assicurate installazioni stazionarie e/o mobili (in questo caso gli altoparlanti e gli accessori di montaggio) contro una caduta dall'alto con due dispositivi indipendenti. Provvedete ad installare dispositivi adatti per cogliere ogni elemento allentato prima che questo possa cadere in terra. Assicuratevi che gli elementi di montaggio e di fissaggio e le imbracature vengano scelti e montati nel rispetto delle normative nazionali e locali vigenti. Tenete conto dei carichi dinamici (forze di trazione-compressione) per calcolare le dimensioni dei dispositivi di sicurezza.



Se usate stativi, badate che non venga oltrepassato il loro carico massimo ammissibile. Badate inoltre che, per motivi costruttivi, gli stativi di solito sono concepiti ed omologati soltanto per portare un carico centrato. Gli stativi devono essere posizionati in modo sicuro e stabile. Provvedete ad assicurare (o meglio ancora fissare) gli stativi se per esempio:

- la loro superficie di appoggio non consenta un posizionamento stabile,
 - la loro altezza limita la stabilità,
 - si potrebbero manifestare venti forti,
 - potrebbero essere rovesciate da persone.
- Prendete provvedimenti contro ogni forma di comportamento rischioso da parte degli spettatori. È vietato posare stativi che ingombrano le vie di fuga e l'accesso soccorsi. Se volete posare stativi in una via di comunicazione, verificate prima che la larghezza della via lo consenta e badate in ogni caso ad una protezione (transenne, cordone ecc.) e ad una segnalazione adeguata. Il montaggio e smontaggio degli altoparlanti significa un rischio elevato. Utilizzate sempre l'attrezzatura adatta e assicuratevi che le attività vengano svolte nel rispetto delle normative nazionali in vigore.



Durante il montaggio, indossate sempre indumenti protettivi appropriati (casco, guanti, calzature di sicurezza) ed usate soltanto mezzi di salita adatti e sicuri (scala, ponteggio ecc.). Il rischio è a esclusivo carico della ditta o del tecnico che esegue i lavori di montaggio.



ATTENZIONE! Verificate dopo il montaggio del sistema di altoparlanti che il montaggio e cablaggio sia avvenuto in modo corretto e che tutte le giunzioni siano stabili. L'operatore di un sistema di altoparlanti (stazionario o mobile) è obbligato a controllare o a fare controllare regolarmente ogni componente del sistema nel rispetto delle normative nazionali e locali in vigore e a fare riparare ogni danno immediatamente.

Vi consigliamo di documentare meticolosamente ogni missione di controllo in un libretto di controllo. Per un sicuro montaggio di altoparlanti all'aperto dovete prendere in considerazione i vari fenomeni che potrebbero limitare la stabilità e la capacità portante dell'impianto, soprattutto i carichi dovuti al vento, al peso della neve o del ghiaccio e gli influssi di temperatura. Badate a dimensionare i punti di sollevamento per un montaggio in sospensione prendendo in considerazione una sufficiente riserva di sicurezza. Assicuratevi che tutto avvenga nel rispetto delle normative nazionali in vigore.

- Se siete insicuri, chiedete al rispettivo produttore se il vostro prodotto sia adatto per un uso all'aperto.



I sistemi di sonorizzazione professionali sono in grado di produrre livelli sonori nocivi alla salute. Anche essere sottoposto a livelli apparentemente inoffensivi (a partire da circa 95 dBA SPL) per un elevato periodo di tempo può provocare perdite dell'udito. Quindi consigliamo che ogni persona sottoposta ad alti livelli sonori provenienti da un sistema di sonorizzazione porti un'adatta protezione per l'udito (tappi auricolari o paraorecchie).

Produttore: Stamer Musikanlagen GmbH, Magdeburger Str. 8, 66606 St. Wendel, Germania

LUCAS 2K15 / 2K18

Benvenuti nella famiglia HK AUDIO!

Grazie per aver scelto un prodotto di marca concepito e fabbricato nella nostra casa secondo i nostri meticolosi criteri di qualità.



Anche se siete un utente esperto di sistemi di sonorizzazione - questo prodotto vi offrirà alcuni aspetti che saranno nuovi per voi. Per questo vi preghiamo di non ignorare questo manuale e di conservarlo in un luogo sicuro per averlo sempre a disposizione.

Vi auguriamo il migliore suono in qualsiasi situazione!

Il vostro team HK Audio

Garanzia

Il modo più veloce e confortevole: la registrazione online sul nostro sito www.hkaudio.com.



<http://warranty.hkaudio.com>

La registrazione è valida soltanto se avviene su internet ed entro 30 giorni dalla data d'acquisto.

HK AUDIO

Technischer Service (servizio tecnico)
Postfach 1509
66595 St. Wendel, Germania
Fax: +49 6851 905 100



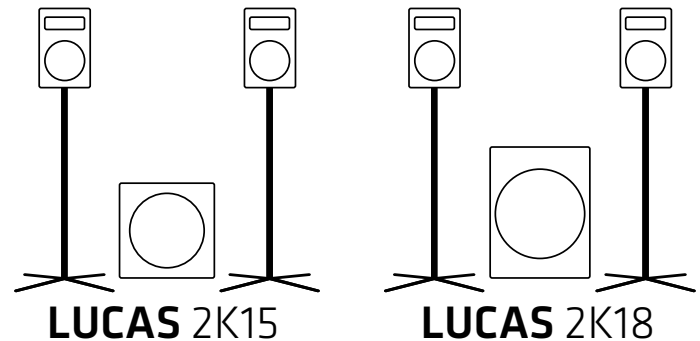
Nota: Forti campi elettromagnetici o scariche elettrostatiche possono disturbare la funzione del prodotto. In questo caso, basta spegnere e riaccendere il prodotto per farlo funzionare nuovamente. Se questo non aiuta a risolvere il problema, dovete allontanare il dispositivo dalla sorgente di disturbo.

1 Informazioni generali

Dotazione

Per favore, verificate il contenuto della confezione dopo l'acquisto del vostro LUCAS 2K15 od LUCAS 2K18. Il sistema LUCAS 2K è composto da un subwoofer e due satelliti - la confezione contiene anche un cavo d'alimentazione.

I componenti del sistema



Il subwoofer

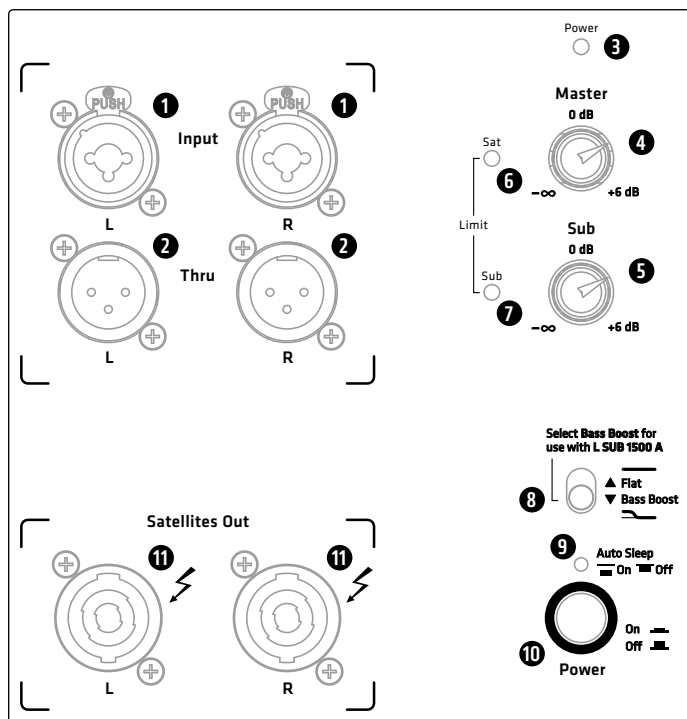
Il subwoofer del sistema è munito di un altoparlante bassi da 15" (LUCAS 2K15) rispettivamente da 18" (LUCAS 2K18) e contiene l'elettronica attiva del sistema e le finali di potenza in classe D. Sul posteriore si trova il pannello di connessione e controllo.

I satelliti

I due satelliti (identici per LUCAS 2K15 e LUCAS 2K18) sono muniti di un altoparlante bassi/medi a 8" e di un driver di compressione da 1" con tromba CD 90° x 55°. Sul posteriore si trova un ingresso Speakon NL2, sull'inferiore la flangia MonoTilt™ con un angolo d'inclinazione di 3° per posare i satelliti su uno stativo.

Nota! I componenti del sistema sono sintonizzati in modo ottimo l'uno sull'altro e vi consigliamo di utilizzarli soltanto nella configurazione descritta. Usando altro satelliti, il suono non solo risulterà poco soddisfacente ma rischiate anche di danneggiare sia la finale di potenza, sia gli apparecchi di fabbricazione esterna collegati.

2 Caratteristiche dei jack e dei controlli



1 Input

Ingressi bilanciati e combinati (XLR/jack) per collegare un segnale di linea stereo (L/R). Collegate a queste prese fonti di segnale come DJ-controller, mixer, tastiera o uno strumento simile usando un cavo XLR oppure jack da 6,35 mm.

2 Thru

Uscite bilanciate e parallele (XLR) per un bypass del segnale d'ingresso (L/R) presente all'Input (1). Il circuito Thru vi permette di trasmettere il segnale stereo ad altri componenti, per esempio monitor attivi. Le prese Thru servono anche per collegare un addizionale subwoofer della serie HK Audio LINEAR SUB: L SUB 1500 oppure L SUB 1800 A.

Nota! Anche qui vi consigliamo di usare soltanto uno dei due subwoofer consigliati per ottenere il migliore risultato acustico.

3 Power-LED

Questa spia si illumina in verde quando l'interruttore d'alimentazione (10) è messo su "On" e quando l'apparecchio è collegato alla rete di corrente.

4 Master

Il controllo Master serve a regolare la sensibilità d'ingresso e di conseguenza il volume del sistema completo LUCAS 2K. Chiudete il controllo Master prima di accendere il sistema (girare in senso antiorario).

5 Sub

Il controllo Sub permette di regolare indipendentemente il livello del subwoofer. Sulla posizione 0 dB (Centerclick), il sistema fornisce una proporzione assai bilanciata fra il volume dei satelliti e quello del subwoofer.

6 Limit Sat

Spia LED che segnala l'azionamento del limiter per i satelliti.

Attenzione! Se la spia Sat rimane rossa durante l'uso, il sistema è sovraccaricato. In questo caso dovete ridurre il livello Master! Se la spia si illumina permanentemente in rosso senza che sia presente un segnale, è avvenuto un errore - in questo caso, rivolgetevi al nostro servizio tecnico.

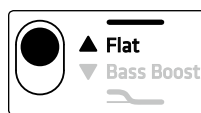
7 Limit Sub

Spia LED che segnala l'azionamento del limiter per il subwoofer.

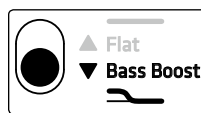
Attenzione! Se la spia Sub rimane rossa durante l'uso, il sistema è sovraccaricato. In questo caso dovete ridurre il controllo Sub oppure il livello Master! Se la spia si illumina permanentemente in rosso senza che sia presente un segnale, è avvenuto un errore - in questo caso, rivolgetevi al nostro servizio tecnico.

8 Selettore "Flat/Bass Boost"

Ottima risposta in frequenza per i vari modi di uso controllata tramite DSP.



Posizione "Flat": Impostazione di fabbrica del LUCAS 2K per un suono armonioso e bilanciato.



Posizione "Bass Boost": Se necessario, potete aumentare la quota dei bassi profondi per rendere i bassi del LUCAS 2K più poderosi.

Questa posizione viene anche usata per collegare un addizionale subwoofer della serie LINEAR SUB al LUCAS 2K (cfr. capitolo 5. "Collegare un addizionale subwoofer L Sub 1500 oppure L Sub 1800" e gli esempi di collegamento nell'appendice a partire da pagina 32).

9 Auto Sleep

Selettore per attivare o disattivare la funzione automatica di risparmio energetico del LUCAS 2K. Sulla posizione "On" (funzione Auto Sleep attiva), lo standby della finale di potenza verrà attivato dopo 350 minuti senza segnale d'ingresso (consumo: 0,5 Watt circa). Per riattivare il LUCAS 2K, basta premere l'interruttore Power (10) e aspettare cinque secondi prima di premerlo di nuovo. Sulla posizione "Off" invece, la funzione automatica di risparmio energetico viene disattivata e il LUCAS 2K rimane acceso.

10 Power

Interruttore d'alimentazione del LUCAS 2K. Quando il subwoofer è attivato, la spia Power (3) si illumina in verde.

11 Satellites Out

Uscita altoparlanti per collegare i satelliti del LUCAS 2K usando cavi compatibili con NL2-Speakon (+1/-1, diametro del cavo almeno 1,5 mm²). Collegate queste uscite soltanto ai satelliti del LUCAS 2K. Non collegare altri dispositivi per evitare che questi, o il subwoofer del LUCAS 2K, si possano danneggiare irreparabilmente!

Nota: Badate che le prese Speakon incastrano girandole in senso orario. Per disconnettere i cavi, dovete togliere la sicura tirando la chiusura a baionetta verso voi e girandola in senso orario.

12 Mains

Collegate questa presa alle rete di corrente usando il cavo d'alimentazione in dotazione.

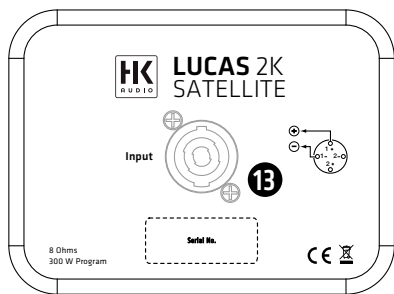
Nota: Il LUCAS 2K è munito di prese d'alimentazione ad alta sicurezza V-Lock. In combinazione con un cavo d'alimentazione pressa e rilascia ("Volex" o simile, in vendita opzionale) evitate una disconnessione involontaria del cavo d'alimentazione.



Attenzione! Assicuratevi che la tensione della rete alla quale vi volete collegare corrisponda al valore indicato sul LUCAS 2K. Collegando l'apparecchio ad una tensione non adatta rischiate di distruggere l'elettronica.

13 Satellite Input

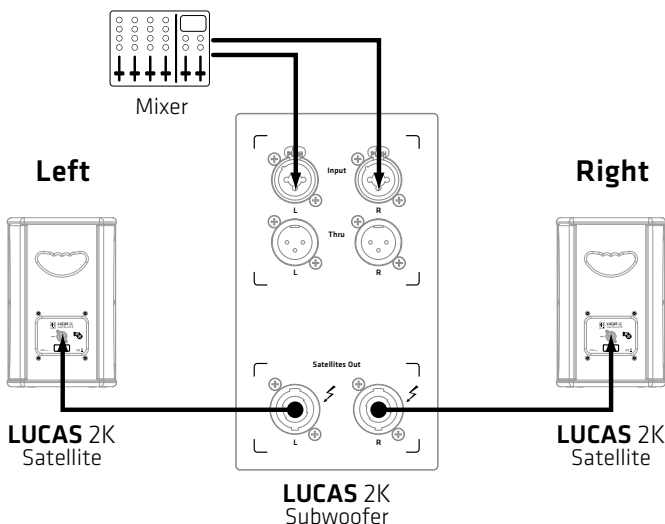
Collegate gli ingressi Speaker dei satelliti al Satellites Out (11) del subwoofer del sistema usando cavi da altoparlanti compatibili con NL2-Speakon (+1/-1, diametro del cavo almeno 1,5 mm²).



3 Messa in funzione

- Badate che il cavo d'alimentazione sia collegato e che l'interruttore Power (10) si trovi in posizione Off.
- Chiudete il Master (4) (girandolo in senso antiorario).
- Collegate i due satelliti al subwoofer del sistema.
- Attivate tutti i componenti collegati al LUCAS 2K.
- Attivate il sistema usando l'interruttore Power (10).

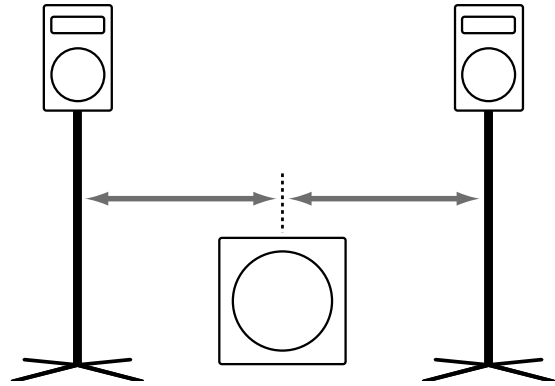
Attenzione: Badate di attivare il LUCAS 2K sempre come ultimo, vale a dire dopo aver attivato tutti i componenti di periferia, e di disattivarlo sempre prima di disattivare questi.



4 Installazione

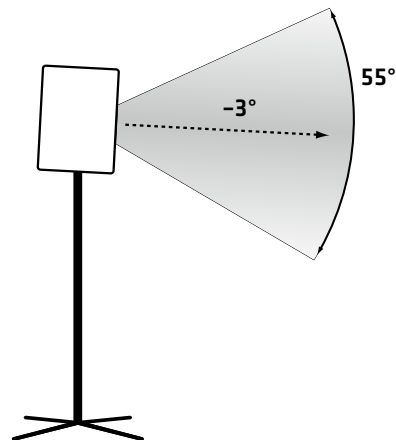
4.1 Posizionare il sistema

Per ottenere un omogeneo suono stereo, vi consigliamo di posizionare il subwoofer nel centro dei due satelliti.



4.2 Orientare i satelliti verticalmente

Grazie all'angolo di 3° della flangia MonoTilt™, il centro di gravità dei satelliti si trova in linea con lo stativo e il suono viene orientato in modo migliore verso gli ascoltatori.



La flangia MonoTilt™ ha un diametro di 36 mm, permettendovi di montare i satelliti del sistema LUCAS 2K su quasi qualsiasi stativo per altoparlanti.

Nota! Badate sempre che gli stativi siano posti in modo stabile e che questi siano adatti a portare il peso (controllare il carico massimo nelle specificazioni del produttore).

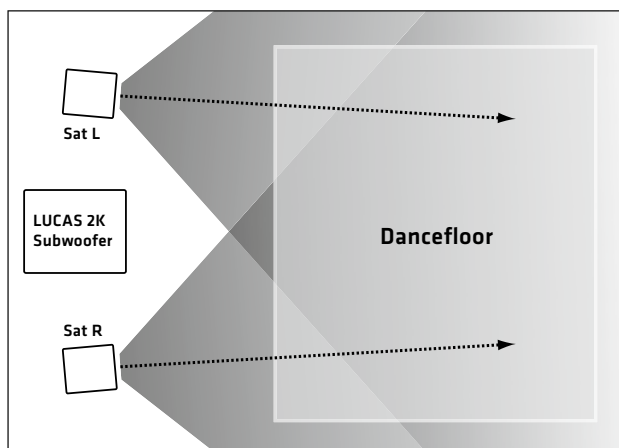
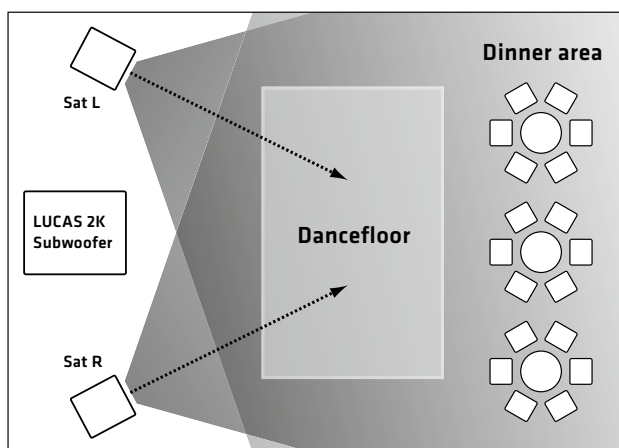
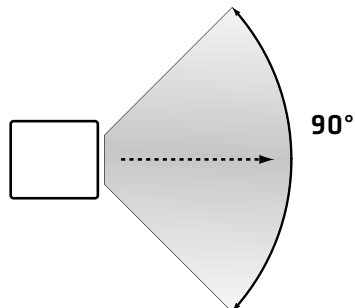


Attenzione!

- Usate soltanto stativi solidi che garantiscono la stabilità della colonna con satelliti montati. Badate che lo stativo sia adatto a portare il peso del satellite. Attenzione a non troppo estrarre lo stativo per non superare l'altezza dove la colonna formata da stativo e satellite diventi instabile! Questo vale per un'installazione su una superficie piana e orizzontale.
- Su una superficie a dislivello o inclinata, dovete provvedere a garantire la stabilità della colonna, per esempio posando un peso adatto sul piede dello stativo o fissandolo con una cinghia, ecc.
- Montando i satelliti su stativi non adatti o usando soluzioni improvvisate, rischiate che l'impianto diventi instabile e danneggiare delle persone.

4.3 Orientare i satelliti orizzontalmente

La dispersione orizzontale dei satelliti ammonta a 90° circa. Girate i satelliti tenendo in considerazione le dimensioni della località.



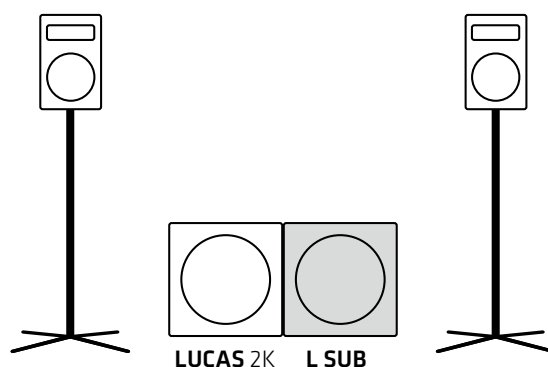
5 Collegare un addizionale subwoofer L SUB 1500 oppure L SUB 1800

LUCAS 2K vi permette di allargare il sistema collegando un addizionale subwoofer (L SUB 1500 A per LUCAS 2K15 e L Sub 1800 A per LUCAS 2K18).

- Collegate le prese Thru (L/R) (2) del subwoofer del LUCAS 2K alle prese Input (L/R) del subwoofer L SUB usando due cavi XLR.
- Mettete il selettore filtro (8) del subwoofer del LUCAS 2K su „Bass Boost“ e girate il controllo Sub (5) su 0 dB (Centerclick). Sul L SUB collegato, mettete il Sub-Gain su -6 DB, il X-Over su 100 Hz e il selettore di fase su 0°.

Nota: Troverete ulteriori informazioni negli esempi di collegamento nell'appendice a partire di pagina 32.

Per ottenere un suono omogeneo, posizionate i due subwoofer uno a lato dell'altro e in posizione centrale fra i dei due satelliti.



6 Accessori opzionali HK Audio

1. SPEAKER STAND ADD-ON

Contenuto: 2 stativi per altoparlanti a treppiedi in alluminio, regolabili in altezza (112 a 190 cm), 2 cavi speaker, 1 sacca.

2. LUCAS 2K ROLLER BAG

Contenuto: Set di tre soft-cases (1 per il subwoofer con tavola a rotelle integrata, 2 per i satelliti) in grigio scuro.

3. RUOTE ORIENTABILI 100 mm in blu

Le ruote orientabili in vendita opzionale possono essere fissati sul posteriore del subwoofer del LUCAS 2K usando le viti zigrinate sottotesta negli angoli.

Attenzione! Quando avete montato le ruote orientabili, non potete più usare il roller bag per il LUCAS 2K. In questo caso vi consigliamo di procurarvi la custodia imbottita per un L SUB 1500 A oppure L Sub 1800 A.

7 Caratteristiche tecniche

Sistema LUCAS 2K	
Potenza totale (RMS) ¹	670 W Class D
Calculated Peak-Power	2000 W
DSP-Features	Filtro FIR, filtro subsonic 24 dB, limiter peak e RMS
Custodia	MDF (pannello di fibra a media densità)
Superficie	Smalto acrilico, nero
Griglia frontale	Griglia in metallo con plastico espanso speciale
Accessori opzionali	LUCAS 2K ROLLER BAG, SPEAKER STAND ADD-ON, SPEAKER STAND STRETCH COVER (Fodera copristativo)
Peso totale (2K15)	53,0 kg / 116,9 lbs.
Peso totale (2K18)	65,4 kg / 144,2 lbs.

LUCAS 2K15 Subwoofer	
SPL Peak massimo ²	129 dB
Risposta in frequenza +/- 5 dB	44 Hz - 130 Hz
Ingressi	2x presa combinata jack/XLR
Uscite	2x XLR Thru, 2x Satellites Out (Speakon)
Altoparlante bassi	1x 15"
Flangia di supporto	1x M20 (K&M)
Manici	2x HK Audio MultiGrip
Dimensioni (L x A x P)	48 x 48,5 x 59,5 cm
Peso	30,2 kg / 66,6 lbs.

LUCAS 2K18 Subwoofer	
SPL Peak massimo ²	128 dB
Risposta in frequenza +/- 5 dB	39 Hz - 130 Hz
Ingressi	2x presa combinata jack/XLR
Uscite	2x XLR Thru, 2x Satellites Out (Speakon)
Altoparlante bassi	1x 18"
Flangia di supporto	1x M20 (K&M)
Manici	2x HK Audio MultiGrip
Dimensioni (L x A x P)	51 x 67 x 72,5 cm
Peso	42,6 kg / 93,9 lbs.

LUCAS 2K Satellite	
SPL Peak massimo ²	127 dB
Risposta in frequenza +/- 5 dB	118 Hz - 18 kHz
Altoparlante medi	1x 8"
Driver acuti	1"
Dispersione orizzontale/verticale	90° x 55°
Ingressi	Speaker In (Speakon)
Flangia di supporto	HK Audio MonoTilt 3°
Manici	1x maniglia incassata HK Audio ErgoGrip™
Dimensioni (L x A x P)	26,5 x 41,5 x 29,5 cm
Peso	11,4 kg / 25,1 lbs.

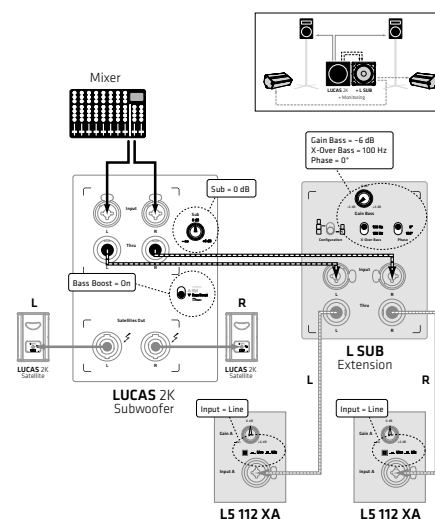
¹ Valore RMS di breve durata, misurato usando un segnale sinus-burst con una cadenza di 1/4 e un fattore crest risultante di 9 dB con una frequenza caratteristica per il sistema.

² @10% THD, Halfspace

Caratteristiche tecniche generali	
Assorbimento di corrente massimo	2,6 A / 100-120 V AC • 1,4 A / 220-240 V AC
Corrente di transitorio	39 A con 120 V e 230 V

8 Applicazioni

Alcuni esempi di cablaggio sono illustrati a partire di pagina 32.



Importantes instrucciones de seguridad.

¡Leer antes de encender!

Este producto ha sido elaborado por el fabricante de conformidad con IEC 60065 y ha salido de fábrica en perfecto estado. Para que se mantenga en perfectas condiciones y asegurar que no exista riesgo alguno, el usuario deberá observar los avisos y advertencias que se encuentran en el manual de instrucciones. En caso de utilizar este producto en vehículos, embarcaciones o aviones, así como a altitudes superiores a los 2.000 m sobre el nivel del mar, además de la norma IEC 60065 también se deberán cumplir las demás normas de seguridad aplicables.

ADVERTENCIA: Para prevenir el riesgo de incendio y el peligro de electrocución, evite la exposición del equipo a humedad o lluvia. No abra la cubierta: en el interior no hay elementos que deba manipular el usuario. El mantenimiento deberá quedar a cargo de personal cualificado.



La presencia de este símbolo advierte de la existencia de tensión peligrosa sin aislar en el interior que podría ser suficiente para provocar una electrocución.



La presencia de este símbolo advierte de la existencia de tensión peligrosa accesible desde el exterior. Todo cableado externo conectado con algún terminal marcado con este símbolo deberá ser un cableado preelaborado que satisfaga las recomendaciones del fabricante o deberá ser instalado por personal cualificado.



La presencia de este símbolo advierte de importantes instrucciones de uso y mantenimiento en la bibliografía adjunta. Lea el manual.



La presencia de este símbolo indica: ¡Precaución! ¡Superficie caliente! No tocar para evitar quemaduras.



Todos los aparatos eléctricos y electrónicos inclusive las baterías, se han de evacuar por separado de la basura doméstica, a través de centros de recogida y reciclaje oficiales.



Lea las presentes instrucciones. Conserve las presentes instrucciones. Observe todas las advertencias e indicaciones señaladas en el producto y en las instrucciones.

- No utilice el producto cerca del agua. No coloque el producto cerca de agua, baños, bañeras, fregaderos, zonas húmedas, piscinas o saunas.
- No coloque objetos que contengan líquidos sobre el producto, como jarrones, vasos, botellas, etcétera.
- Limpie exclusivamente con paños secos.
- No retire ninguna cubierta ni elementos del armazón.
- La tensión operativa del producto deberá ajustarse a la tensión del suministro eléctrico local. Si no está seguro del tipo de electricidad disponible, consulte con su distribuidor o con la compañía eléctrica local.
- Antes de conectar el aparato debe asegurarse de que la instalación de alimentación de red tenga equipos de protección suficientes contra cortocircuito y fallo de puesta a tierra de los dispositivos conectados.
- Para reducir el riesgo de electrocución, deberá mantenerse la puesta a tierra del producto. Utilice solamente el cable de alimentación suministrado con el producto y mantenga siempre activo de la patilla central (puesta a tierra) del cuadro de conexiones. No desactive la función de seguridad del enchufe polarizado o con puesta a tierra. El aparato solamente debe conectarse a enchufes que tengan una puesta a tierra de protección que funcione reglamentariamente.
- Proteja el cable de alimentación de pisadas o pinzamientos, especialmente junto a enchufes, soportes de dispositivos y el punto de salida desde el equipo. Los cables de alimentación deberán manipularse siempre con precaución. Compruebe periódicamente que los cables no tengan cortes ni signos de desgaste, especialmente en el enchufe y en el punto de salida desde el equipo.
- No utilice nunca un cable dañado.
- Desenchufe el producto durante las tormentas con aparato eléctrico o cuando vaya a estar en desuso durante periodos prolongados.
- El producto solamente se puede desconectar por completo de la red extrayendo el enchufe de red de la unidad o de la toma de la pared. El producto deberá colocarse en todo momento de tal modo que su desconexión de la red sea sencilla.

- Fusibles: Reemplace solamente con fusibles de tipo (5x20 mm) y amperaje según IEC 127. Está prohibido usar „fusibles parcheados“ o cortocircuitar los portafusibles. La sustitución de los fusibles debe ser realizada únicamente por personal cualificado.
- El mantenimiento deberá quedar a cargo de personal cualificado. Será necesaria una revisión si la unidad resulta dañada de cualquier forma, por ejemplo:
 - si el cable de alimentación o el enchufe están dañados o deshilachados;
 - si se han derramado líquidos sobre el producto o han caído objetos en él;
 - si el producto se ha visto expuesto a lluvia o humedad;
 - si el producto no funciona con normalidad pese a seguirse las instrucciones de uso;
 - si el producto ha sido salpicado o el cajetín ha sido dañado.
- Cuando se conecten altavoces a este aparato no se podrá sobrepasar el límite de impedancia mínima especificado en el aparato o en las presentes instrucciones. La sección de los cables empleados debe ser suficiente en conformidad con la reglamentación local.
- Proteja de la luz solar directa.
- No instale cerca de fuentes de calor como radiadores, difusores de calor, estufas u otros dispositivos que produzcan calor.
- Este aparato ha sido desarrollado para su uso en zonas climáticas moderadas – y no para su uso en zonas climáticas tropicales.
- No bloquee ninguna abertura de ventilación. Instale de conformidad con las instrucciones del fabricante. No deberá situarse el producto en una instalación integrada, como una rejilla, a no ser que exista la ventilación necesaria.
- Permita siempre que un dispositivo frío se caliente a temperatura ambiente cuando se traslade a alguna sala. Pueden formarse condensaciones en el interior del producto y dañarlo cuando se usa sin precalentamiento.
- No sitúe fuentes de llama abierta, como velas encendidas, sobre el producto.
- El dispositivo deberá situarse al menos a 20 cm/8" de distancia de las paredes.
- Utilice solamente con el carro, soporte, trípode, abrazadera o tablero especificado por el fabricante o vendido junto con el producto. Cuando se use un carro, deberá tenerse precaución al mover la combinación de carro/producto para evitar daños por vuelcos.
- Utilice solamente accesorios recomendados por el fabricante; esto será de aplicación para todo tipo de accesorios, por ejemplo, cubiertas protectoras, bolsas de transporte, pies, soportes murales o de techo. En caso de instalación de cualquier tipo de accesorio en el producto, siga siempre las instrucciones de uso suministradas por el fabricante. Nunca utilice puntos de fijación distintos de los especificados por el fabricante.
- El dispositivo NO es apropiado para su uso por parte de cualquier persona o personas (niños incluidos) con las capacidades físicas, sensoriales o mentales limitadas o sin la experiencia o el conocimiento suficientes con productos de este tipo. El dispositivo deberá mantenerse siempre fuera del alcance de los niños menores de 4 años.
- Nunca introduzca objetos de ninguna clase en el producto a través de las ranuras del cajetín, ya que podrían tocar puntos de tensión peligrosa, ni cortocircuite elementos que pudieran causar riesgo de incendio o electrocución.
- El producto puede emitir niveles de presión sonora por encima de 90 dB, lo que puede causar daños auditivos permanentes. La exposición a niveles sonoros extremadamente altos puede causar pérdidas auditivas permanentes. Lleve protección auditiva si va a estar expuesto de forma continua a dicho tipo de elevados niveles.
- El fabricante solamente garantiza la seguridad, la fiabilidad y la eficiencia del producto si:
 - el montaje, la extensión, el reajuste, las modificaciones o las reparaciones son realizados por el fabricante o por personal autorizado;
 - la instalación eléctrica del área interesada es conforme con los requisitos de las especificaciones de IEC (ANSI);
 - la unidad se utiliza conforme a las instrucciones de uso.
- Este producto está optimizado para el uso de señales de música y voz. El uso de señales senoidales, rectangulares o de medición de otro tipo con nivel superior puede dañar seriamente el aparato.

Instrucciones generales de seguridad para sistemas de altavoces



Los sistemas de fijación deben usarse exclusivamente para los sistemas de altavoces autorizados por el fabricante y con los accesorios de montaje indicados en las Instrucciones de montaje. Deben tenerse en cuenta obligatoriamente las Instrucciones de montaje del fabricante. No puede garantizarse la carga indicada y el fabricante no asume ninguna responsabilidad en caso de montaje inadecuado o uso de accesorios de montaje no autorizados.

No puede garantizarse la capacidad de carga del sistema y el fabricante no asume ninguna responsabilidad si se realizan modificaciones en los altavoces, los accesorios de montaje, los elementos de unión y de fijación, así como los medios de sujeción. Los reparaciones en las piezas relevantes para la seguridad deben ser realizadas sólo por el fabricante o personas autorizadas por él, de lo contrario se extinguirá la autorización de funcionamiento.



La instalación tiene que realizarla exclusivamente un experto y sólo en puntos de montaje con una capacidad de carga suficiente, si procede, teniendo en cuenta las servidumbres de construcción. Debe usarse el material de fijación (tornillos, tacos, etc.) estipulado por el fabricante en las Instrucciones de montaje. Las uniones atornilladas deben asegurarse contra aflojamiento con las medidas apropiadas.



Las instalaciones estacionarias o móviles (altavoces incluidos accesorios de montaje) deben asegurarse contra caídas por medio de dos dispositivos de actuación independiente entre sí. Las piezas adicionales sueltas o las que se aflojen deben sujetarse con los dispositivos apropiados. Si se usan elementos de unión y de fijación, así como medios de sujeción, deben tenerse en cuenta las normas nacionales. Respecto a la medición de los medios de seguridad, deben tenerse en cuenta las posibles cargas dinámicas (fuerzas a sacudidas).



En los pies de soporte debe tenerse en cuenta principalmente la carga máxima. Además, por motivos constructivos, la mayoría de los pies de soporte sólo están autorizados para soportar la carga exactamente centrada. Los pies de soporte deben instalarse de forma estable. Los pies de soporte tienen que asegurarse adicionalmente con las medidas apropiadas, por ejemplo cuando:

- su superficie de apoyo no permita un apoyo estable,
 - sus alturas limiten la estabilidad,
 - se espere una presión del viento excesiva,
 - se prevea que puedan ser volcados por personas.
- Pueden ser también necesarias medidas especiales como precaución contra el comportamiento peligroso de los espectadores. Los pies de soporte no deben instalarse en las vías de escape y de emergencia. En caso de instalación en vías de circulación debe tenerse en cuenta la anchura necesaria de las vías y el bloqueo y señalización reglamentarios. Existe un peligro especial al colocar y apilar. Para ello deben usarse los medios auxiliares adecuados. Deben tenerse en cuenta las normas nacionales.



Durante el montaje debe usarse equipo protector adecuado (especialmente casco protector, guantes y calzado de seguridad) y sólo deben usarse ayudas para subir apropiadas (escaleras, andamios, etc.). La responsabilidad exclusiva será de la empresa que realice la instalación.



¡ATENCIÓN! Después del montaje tiene que comprobarse la suspensión del sistema en el soporte y la fijación segura de los altavoces. El explotador de los sistemas de altavoces (estacionarios o móviles) está obligado a comprobar o hacer comprobar regularmente todos los componentes del sistema teniendo en cuenta las regulaciones nacionales respectivas y hacer solucionar inmediatamente los posibles daños.

Además, recomendamos una documentación completa de todas las medidas de comprobación en los libros de inspección o similares. Para el uso prolongado o permanente de altavoces al aire libre deben tenerse en cuenta también las cargas de viento, nieve y hielo o las influencias térmicas para la estabilidad y capacidad portante de las superestructuras y superficies. En especial, los puntos de sujeción de la carga de los sistemas suspendidos tienen que dimensionarse con reservas de seguridad suficientes. Deben tenerse en cuenta las normas nacionales.

- Consulte con el fabricante si su producto es apropiado para el funcionamiento al aire libre.



Los sistemas de altavoces profesionales pueden crear niveles acústicos perjudiciales para la salud. La influencia de un nivel acústico aparentemente inofensivo durante un periodo prolongado puede causar daños permanentes en la audición (desde aprox. 95 dBA SPL). Por ello, aconsejamos que todas las personas expuestas a un nivel acústico alto debido al funcionamiento de sistemas de altavoces usan protección acústica profesional (tapones para los oídos o auriculares protectores).

Fabricante: Stamer Musikanlagen GmbH, Magdeburger Str. 8, 66006 St. Wendel, Alemania

LUCAS 2K15 / 2K18

¡Bienvenido a la familia HK Audio!

Muchas gracias por haberse decidido por un producto de una de nuestras marcas, que hemos desarrollado y cuidado con el máximo esmero.



Aunque tenga ya una amplia experiencia con instalaciones de sonido, en este producto encontrará novedades para Ud. Por lo tanto, debe leer este manual del usuario y guardarlo para su consulta posterior.

¡Le deseamos que disfrute del mejor sonido que haya oído nunca!

El equipo HK Audio

Garantía

Hágalo cómodamente online en www.hkaudio.com.



<http://warranty.hkaudio.com>

El registro solo es válido si se realiza online en un plazo de 30 días desde la fecha de compra.

HK AUDIO

Technischer Service
Postfach 1509
66595 St. Wendel, Alemania
Fax: +49 6851 905 100



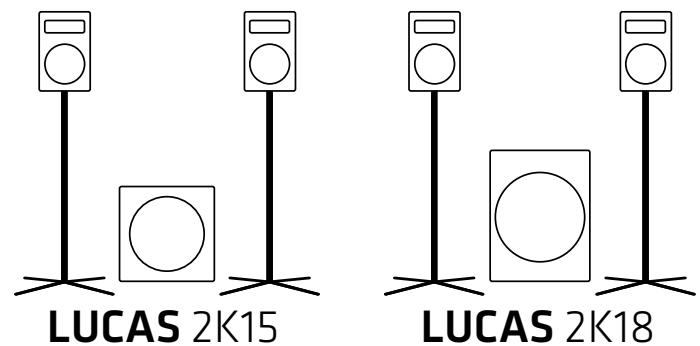
Nota: La funcionalidad de este producto puede verse perturbada por los campos electromagnéticos intensos o las descargas electrostáticas. En este caso, el problema puede solucionarse apagando y volviendo a encender el aparato. Si no se soluciona así, debe alejarse de la fuente de interferencias.

1 Generalidades

Volumen de suministro

Por favor, al desempaquetar su LUCAS 2K15 o LUCAS 2K18 compruebe la integridad del volumen de suministro. LUCAS 2K consta de un subwoofer de sistema y dos satélites – el volumen de suministro incluye además el cable de alimentación apropiado.

Los componentes del sistema



El subwoofer

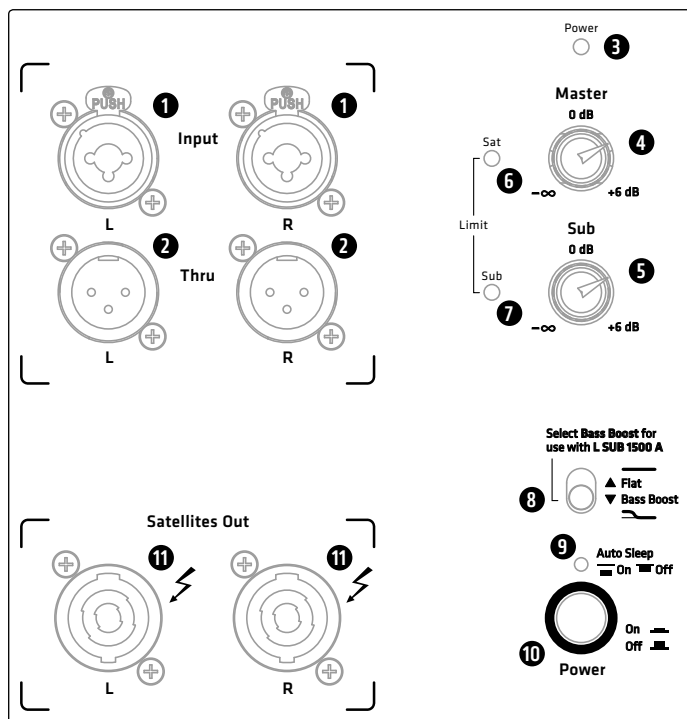
El subwoofer de sistema alberga el altavoz de graves de 15" (LUCAS 2K15) o 18" (LUCAS 2K18) y la electrónica de sistema activa más las etapas finales de clase D. En la parte trasera están el campo de conexiones y el de mando.

Los satélites

Los dos satélites (idénticos en LUCAS 2K15 y LUCAS 2K18) están equipados con un altavoz de medios y graves de 8" y un motor de compresión de 1" con difusor de CD de 90° x 55°. En la parte trasera hay una entrada Speakon NL2 y en la inferior la brida para soporte en altura de 3° MonoTilt™, para montar los satélites en un trípode para cajas.

¡Nota! Los componentes del sistema están acústicamente adaptados entre sí de forma óptima y sólo deben utilizarse en la configuración indicada. Si se usan otros satélites no solo se influye negativamente en el sonido, sino que puede dañarse la etapa final – como también los dispositivos ajenos conectados.

2 Conexiones y elementos de mando



1 Input

Tomas de entrada combinadas simétricas (XLR/jack) para conectar una señal de línea estéreo (L/R). Conecte aquí el cable de señal de su controlador DJ, mesa de mezclas, teclado o similar por medio de cable XLR o cable de jack de 6,35 mm.

2 Thru

Salidas XLR paralelas simétricas para la transmisión de la señal de entrada aplicada a la entrada (1) (L/R). A través de Thru puede transmitirse esta señal estéreo a otros componentes como, por ejemplo, monitores activos. Las tomas Thru sirven también para conectar la ampliación de graves recomendada opcional con los subwoofers de la serie HK Audio LINEAR SUB: L SUB 1500 o L SUB 1800 A.

¡Nota! Garantizamos la correcta interacción acústica de los diferentes componentes solo para las dos ampliaciones de sub recomendadas por nosotros.

3 LED Power

Este LED se enciende de color verde cuando el interruptor Power (10) está conmutado en "On" y existe una conexión de corriente.

4 Master

Por medio del regulador Master se adapta la sensibilidad de entrada y, de este modo, el volumen de todo el sistema LUCAS 2K. Cierre el regulador Master antes de conectar el sistema (tope izquierdo).

5 Sub

Por medio del regulador Sub puede regularse independientemente el nivel del subwoofer. Con el ajuste a 0 dB (clic central), el sistema tiene una relación de volumen relativamente equilibrada entre satélites y subwoofer.

6 Limit Sat

Este LED muestra la entrada del limitador en el área de trabajo de los satélites.

¡Atención! Si el LED Sat se enciende durante el funcionamiento de color rojo fijo, el sistema se sobrecarga. ¡Reduzca el Master! Si no se aplica ninguna señal y el LED se enciende de color rojo fijo, existe un error – póngase en contacto con nuestro Servicio Técnico.

7 Limit Sub

Este LED muestra la entrada del limitador en el área de graves del subwoofer.

¡Atención! Si el LED Sub se enciende durante el funcionamiento de color rojo fijo, el sistema se sobrecarga. ¡Reduzca el regulador Sub o el Master! Si no se aplica ninguna señal y el LED se enciende de color rojo fijo, existe un error – póngase en contacto con nuestro Servicio Técnico.

8 Selector "Flat/Bass Boost"

Optimización de la respuesta de frecuencia controlada por DSP en el caso de aplicación respectivo.



Posición "Flat": En esta posición de interruptor, LUCAS 2K tiene un patrón acústico equilibrado ajustado de fábrica.



Posición "Bass Boost": La función Bass Boost aumenta la proporción de graves del subwoofer y proporciona al LUCAS 2K más presión de graves, si es necesario.

Al mismo tiempo, este interruptor sirve para adaptar el LUCAS 2K cuando se usa una ampliación de graves opcional de la serie LINEAR SUB (véase también el capítulo 5 "Ampliación de graves con L SUB 1500 o L SUB 1800" y los ejemplos de conexión del Anexo desde la página 32).

9 Auto Sleep

LUCAS 2K dispone de una función Auto Sleep que puede conectarse y desconectarse. En la posición "On" (función Auto Sleep activa) la etapa final – si no se aplica ninguna señal en 350 minutos – se pone en estado de reposo (consumo de 0,5 W aprox.). Para poner de nuevo el LUCAS 2K de nuevo en estado de servicio, desconecte el sistema cinco segundos por medio del interruptor Power (10) y vuelva a conectarlo. Auto Sleep en "off" desactiva esta función y el LUCAS 2K permanece en funcionamiento fijo.

10 Power (Alimentación)

El interruptor conectado/desconectado para el LUCAS 2K. En estado conectado, el LED Power (3) se enciende de color verde.

11 Satellites Out

Las tomas de salida de altavoces para conectar satélites del LUCAS 2K con cables de altavoces compatibles con NL2-Speakon (+1/-1, sección de cable mín. 1,5 mm²). Conecte estas tomas de salida exclusivamente con los satélites LUCAS 2K. Si se conectan otros dispositivos – como también el subwoofer LUCAS 2K – pueden destruirse.

Nota: Los conectores de altavoz deben encajarse siempre girándolos en el sentido de las agujas del reloj. Puede extraerse después de quitar el seguro del conector – para ello extraiga el cierre de bayoneta en la dirección del cable y gire en sentido antihorario.

12 Mains

Conecte la toma de conexión con el cable de corriente suministrado en una base de enchufe de red.

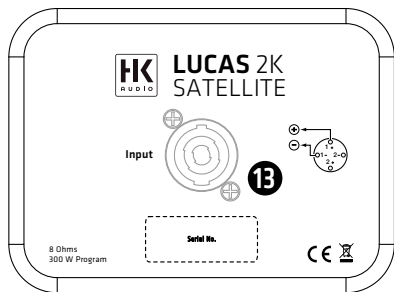
Nota: LUCAS 2K está equipado con tomas de entrada de red bloqueables V-Lock. En combinación con un cable de conexión bloqueable ("Volex" o similar, obtenible opcionalmente) puede bloquearse el cable de alimentación y, de este modo, asegurarse contra desconexión imprevista.



¡Atención! Asegúrese de que la indicación de tensión del subwoofer LUCAS 2K coincida con su tensión de red local. La conexión a una tensión de red incorrecta puede destruir el sistema electrónico del dispositivo.

13 Satellite Input

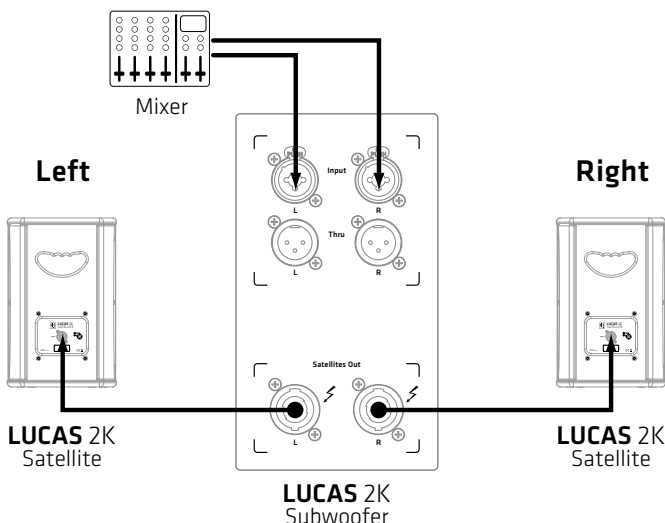
Conecte a través de las tomas de entrada de altavoces los satélites con la salida Satellites Out (11) del subwoofer del sistema por medio de cables de altavoz compatibles con NL2-Speakon (+1/-1, sección de cable mín. 1,5 mm²).



3 Puesta en servicio

- Asegúrese de que el cable de alimentación esté conectado y que el interruptor Power (10) se encuentre en la posición Off.
- Cierre el Master (4) (tope izquierdo).
- Conecte los dos satélites con el subwoofer del sistema.
- Active todos los componentes conectados al LUCAS 2K.
- Active a continuación el sistema con el interruptor Power (10).

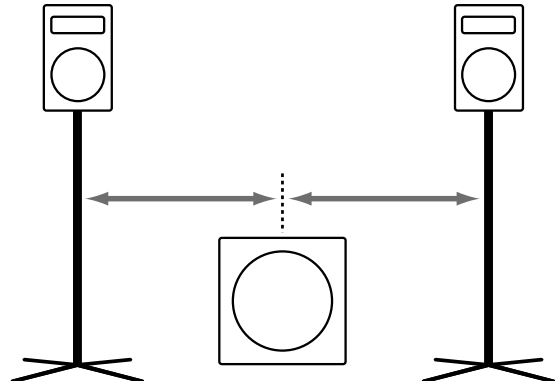
¡Atención! LUCAS 2K debe conectarse siempre el último, por lo tanto, después de todos los demás componentes y desconectarse el primero, por lo tanto, antes de todos los dispositivos conectados.



4 Instalación

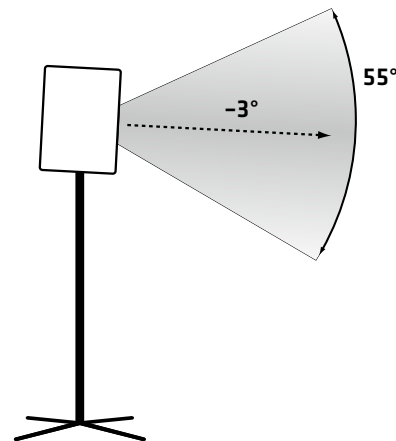
4.1 Composición del sistema

Para garantizar un patrón acústico estéreo lo más homogéneo posible, el subwoofer debe colocarse centrado entre los dos satélites.



4.2 Alineación vertical de los satélites

Gracias al ángulo de 3°, la brida para soporte en altura MonoTilt™ permite que los satélites estén siempre alineados en el centro de gravedad y gracias a la ligera inclinación mejor alineados hacia el público.



La brida para soporte en altura MonoTilt™ tiene un diámetro de 36 mm, los satélites de LUCAS 2K pueden instalarse también en cualquier trípode de altavoz habitual.

¡Nota! Compruebe siempre la posición segura y siga los datos del fabricante sobre la carga máxima de los trípodes.

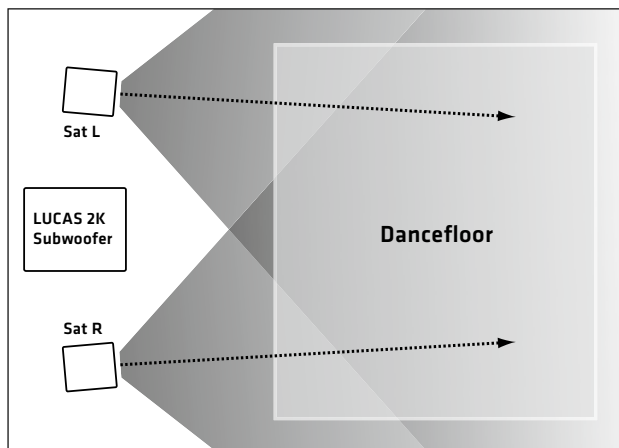
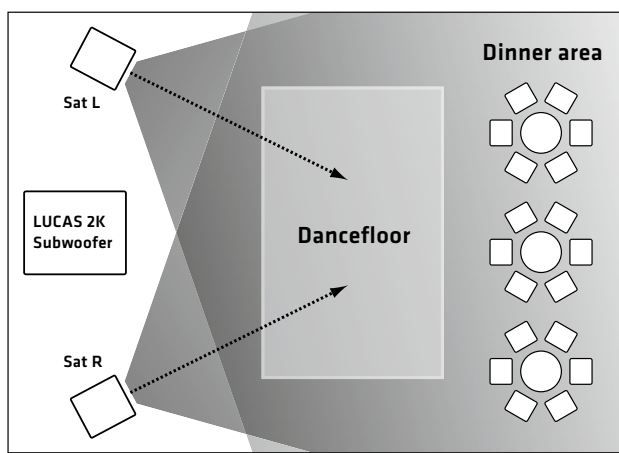
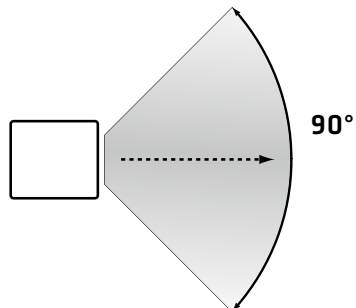


¡Atención!

- Solo deben utilizarse trípodes que garanticen la seguridad contra volcado después de montar los satélites. El trípode debe estar diseñado para el peso de los satélites. La altura de extracción máxima debe limitarse de modo que la combinación de trípode y satélite no vuelque. Esto es aplicable a la instalación sobre una superficie horizontal nivelada.
- Además, para la instalación sobre una superficie irregular o inclinada debe cuidarse de que se garantice la seguridad contra volcado, ya sea mediante carga del pie del trípode con pesos apropiados u otro tipo de medidas de seguridad.
- Si se utiliza con otros equipos puede producirse inestabilidad que puede causar heridas.

4.3 Alineación horizontal de los satélites

La irradiación horizontal de los satélites es de 90° aprox. Gire los satélites consecuentemente según el tamaño de la sala.



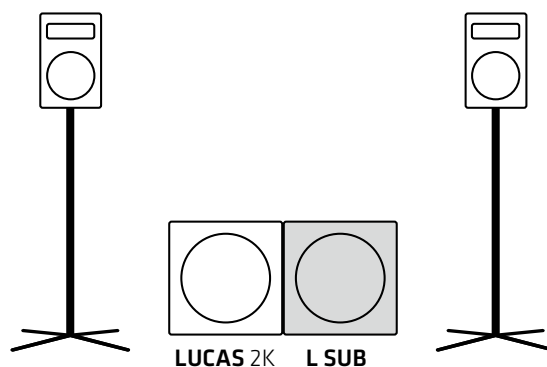
5 Ampliación de graves con L SUB 1500 o L SUB 1800

Adicionalmente, LUCAS 2K ofrece la posibilidad de ampliar el sistema con otro subwoofer (L SUB 1500 A para LUCAS 2K15 y L SUB 1800 A para LUCAS 2K18).

- Conecte para ello las tomas Thru (L/R) (2) del subwoofer LUCAS 2K con las tomas Input (L/R) del subwoofer L SUB usando dos cables XLR.
- Ponga el selector de filtro (8) del subwoofer LUCAS 2K en "Bass Boost" y gire el regulador Sub (5) a 0 dB (clic central). Con L SUB conectado ponga la Sub-Gain en -6 dB, el X-Over en 100 Hz y el interruptor Phase en 0°.

Nota: Encontrará más información en los ejemplos de conexión del Anexo desde la página 32.

Para obtener un patrón acústico lo más homogéneo posible, posicione ambos subwoofers adyacentes, lo más centrados posible, entre ambos satélites.



6 Accesorio opcional de HK Audio

1. SPEAKER STAND ADD-ON

Contenido: 2x trípode para cajas de aluminio y de altura regulable (112 hasta 190 cm), 2x cable de altavoz, 1x bolsa.

2. LUCAS 2K ROLLER BAG

Contenido: juego de estuche blando de tres partes (1x subwoofer con plataforma con ruedas integrada y 2x satélites), gris oscuro.

3. RUEDAS GIRATORIAS 100 mm azul

Las ruedas giratorias suministrables opcionalmente pueden fijarse en la parte trasera del subwoofer LUCAS 2K por medio de los tornillos con dientes de bloqueo que hay en las esquinas.

¡Atención! Con las ruedas giratorias montadas no puede volver a usarse la LUCAS 2K Roller Bag. En este caso, puede usarse la funda protectora acolchada apropiada de la ampliación de graves respectiva L SUB 1500 A o L SUB 1800 A.

7 Datos técnicos

Sistema LUCAS 2K	
Potencia total (RMS) ¹	670 W Clase D
Calculated Peak-Power	2000 W
Características DSP	Filtrado FIR, Filtro subsónico de 24 dB, limitador de pico y RMS
Carcasa	MDF
Superficie	Laca acrílica, negra
Rejilla frontal	Rejilla metálica con espuma negra acústica
Accesorios opcionales	LUCAS 2K ROLLER BAG, SPEAKER STAND ADD-ON, SPEAKER STAND STRETCH COVER (Cubierta de trípode, husse)
Peso total (2K15)	53,0 kg / 116,9 lbs.
Peso total (2K18)	65,4 kg / 144,2 lbs.

Subwoofer LUCAS 2K15	
Máx. SPL Peak ²	129 dB
Respuesta de frecuencia +/- 5 dB	44 Hz - 130 Hz
Entradas	2x toma combinada jack/XLR
Salidas	2x XLR Thru, 2x Satellites Out (Speakon)
Altavoz de graves	1x 15"
Brida para soporte en altura	1x M20 (K&M)
Asas	2x HK Audio MultiGrip
Dimensiones (AxAxP)	48 x 48,5 x 59,5 cm
Peso	30,2 kg / 66,6 lbs.

LUCAS 2K18 Subwoofer	
Máx. SPL Peak ²	128 dB
Respuesta de frecuencia +/- 5 dB	39 Hz - 130 Hz
Entradas	2x toma combinada jack/XLR
Salidas	2x XLR Thru, 2x Satellites Out (Speakon)
Altavoz de graves	1x 18"
Brida para soporte en altura	1x M20 (K&M)
Asas	2x HK Audio MultiGrip
Dimensiones (AxAxP)	51 x 67 x 72,5 cm
Peso	42,6 kg / 93,9 lbs.

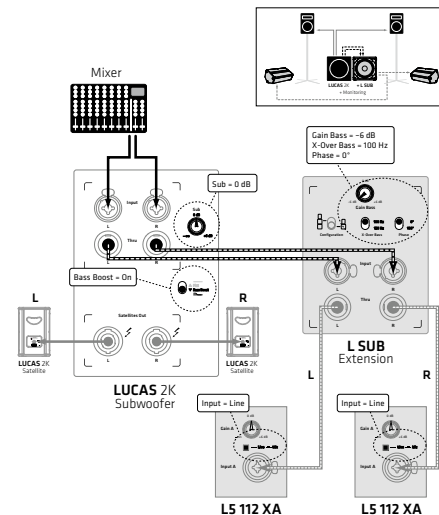
Satélite LUCAS 2K	
Máx. SPL Peak ²	127 dB
Respuesta de frecuencia +/- 5 dB	118 Hz - 18 kHz
Altavoz de medios	1x 8"
Altavoz de agudos	1"
Irradiación horizontal/vertical	90° x 55°
Entradas	Speaker In (Speakon)
Brida para soporte en altura	HK Audio MonoTilt 3°
Asas	1x HK Audio ErgoGrip™ fresado
Dimensiones (AxAxP)	26,5 x 41,5 x 29,5 cm
Peso	11,4 kg / 25,1 lbs.

¹ Valor RMS por corto tiempo, medido utilizando una señal de ráfaga senoidal con una sincronización de 1/4 y un factor de cresta resultante de 9 dB con una frecuencia representativa para el sistema
² @10% THD, Halfspace

Datos técnicos generales	
Corriente de pico	2,6 A / 100-120 V AC • 1,4 A / 220-240 V AC
Corriente de conexión	39 A con 120 V y 230 V

8 Aplicaciones

Encontrará ejemplos de conexión para cableado a partir de la página 32.

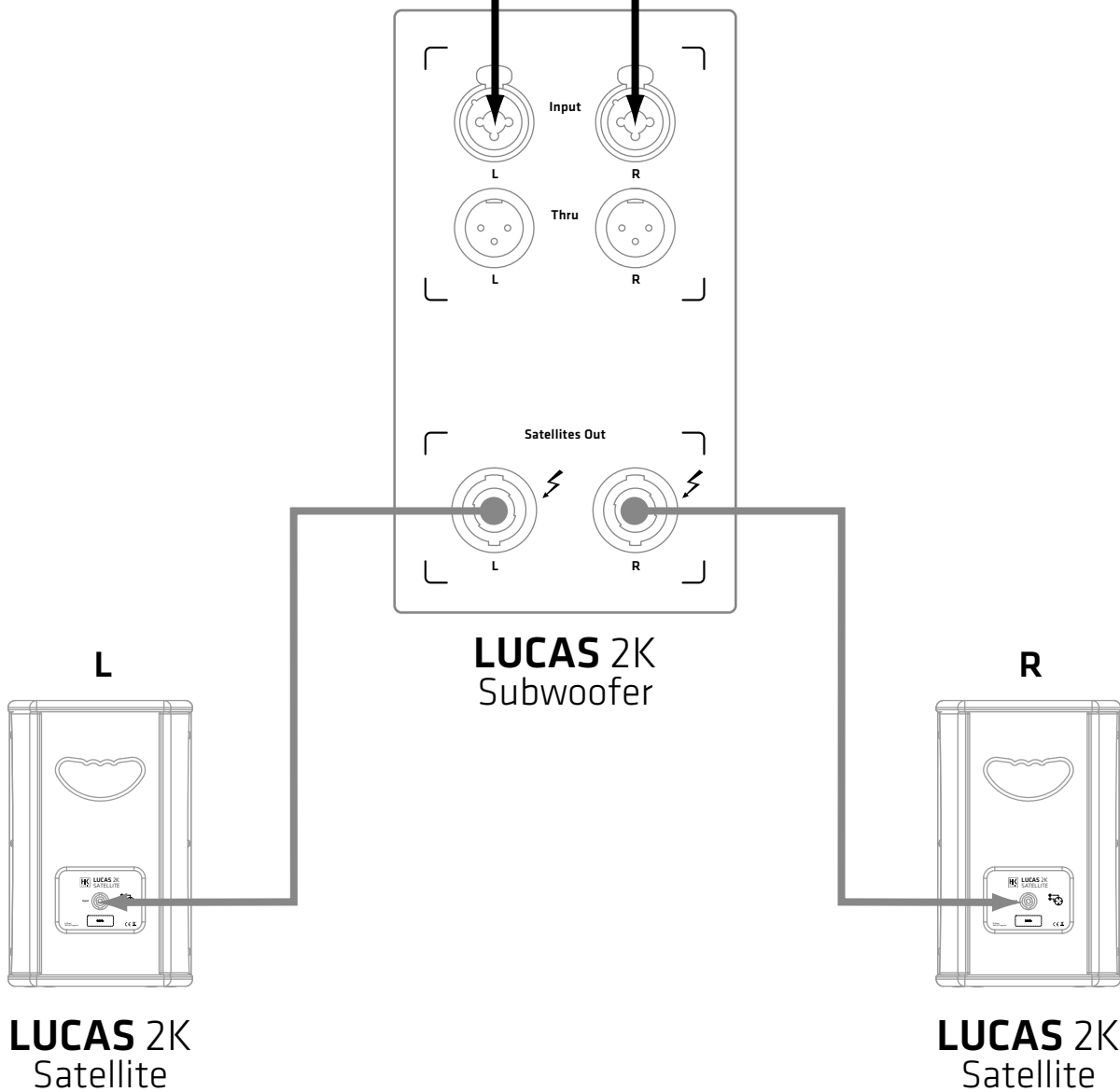
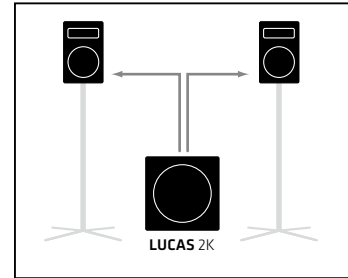
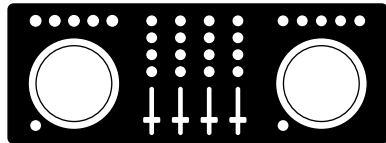


Application Samples



1. DJ: LUCAS 2K15 / LUCAS 2K18

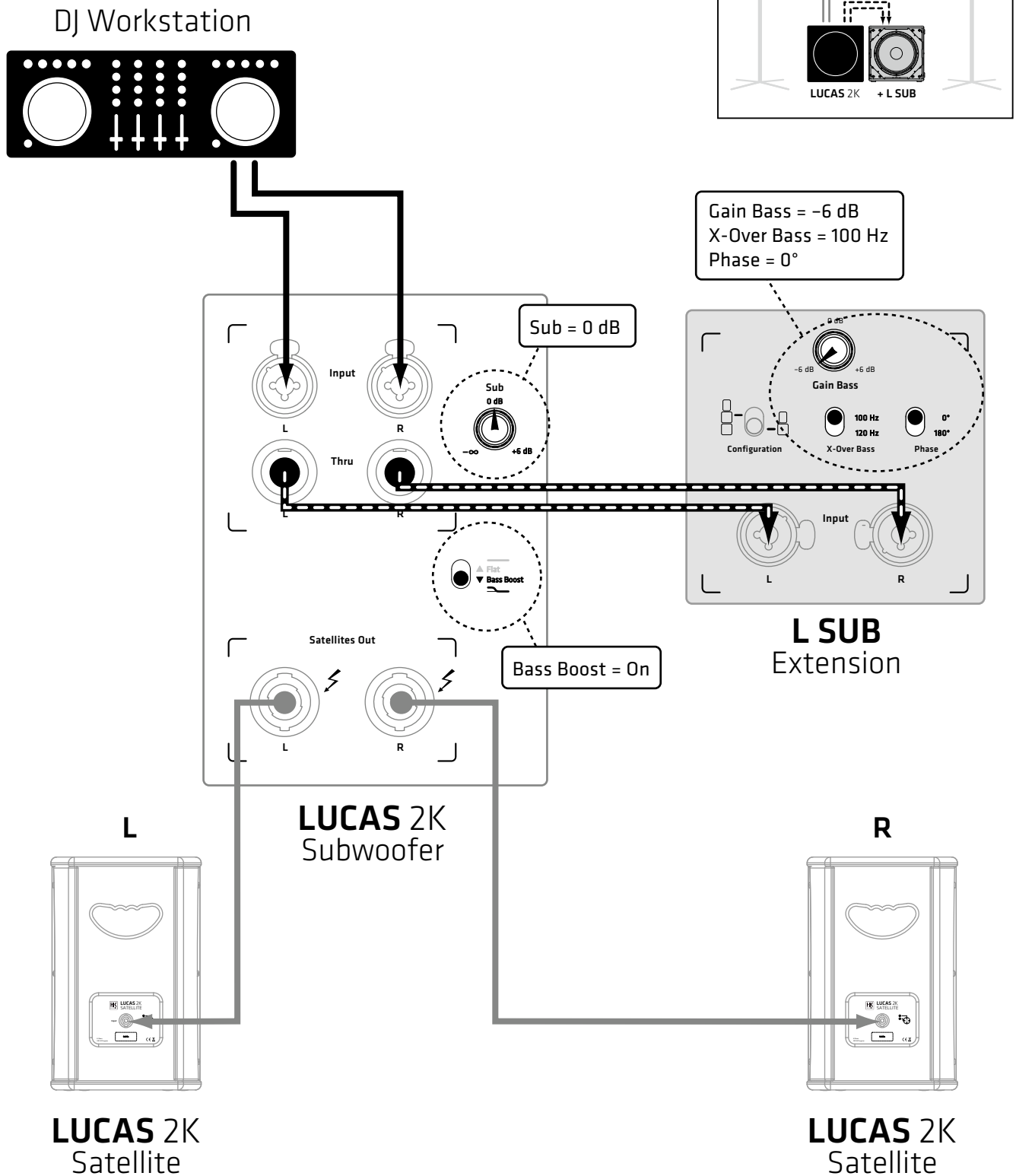
DJ Workstation





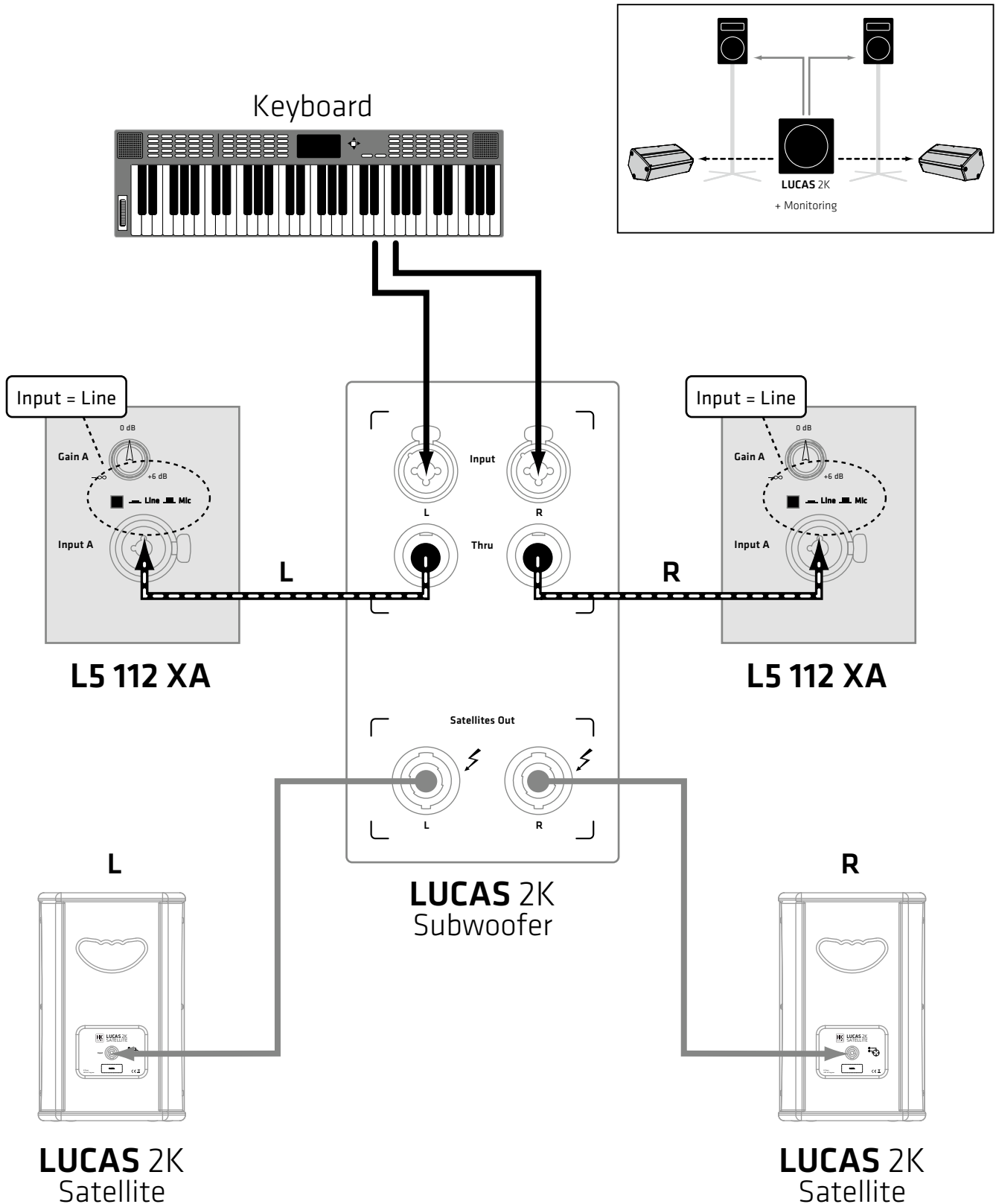
2. DJ + Bass Extension:

LUCAS 2K15 + L SUB 1500 / LUCAS 2K18 + L SUB 1800





3. Solo Entertainer + Monitoring: LUCAS 2K15 / LUCAS 2K18 + 2x Powered Monitor (for example: L5 112 XA)



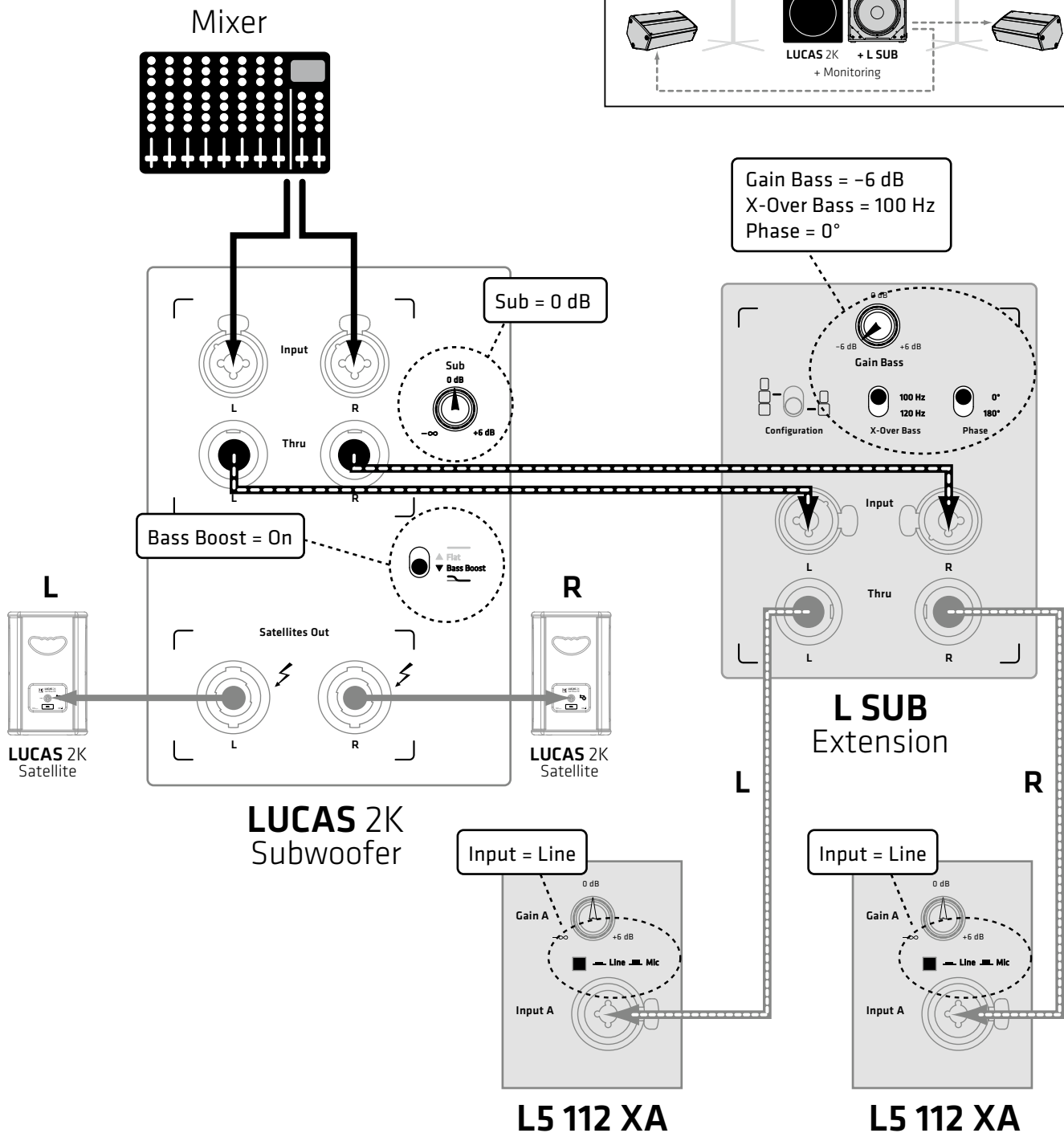
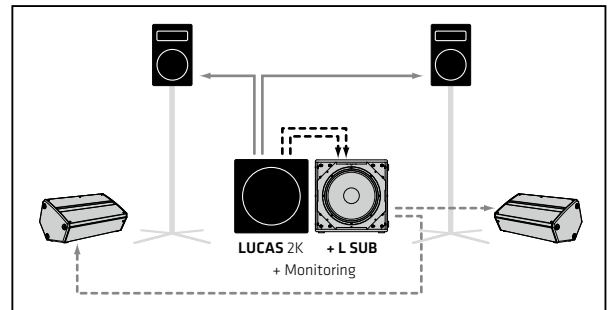


4. Band + Bass Extension + Monitoring:

LUCAS 2K15 + L SUB 1500 / LUCAS 2K18 + L SUB 1800

+ 2x Powered Monitor

(for example: **L5 112 XA**)



LUCAS 2K15

LUCAS 2K18



HK Audio® • Postfach 1509 • 66595 St. Wendel • Germany • info@hkaudio.com • www.hkaudio.com
International Inquiries: fax +49-68 51-905 215 • international@hkaudio.com

Subject to change without notice • Technische Änderungen vorbehalten
Copyrights 2017 Music & Sales GmbH • 10/2017

Manufacturer • Hersteller • Fabricant • Produttore • Fabricante • メーカー • 制造商:
Stamer Musikanlagen GmbH, Magdeburger Str. 8, 66606 St. Wendel, Germany